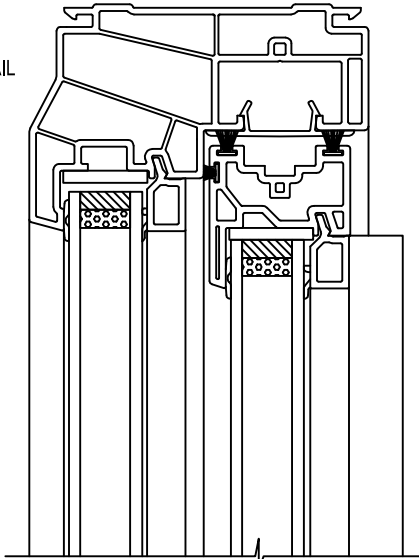
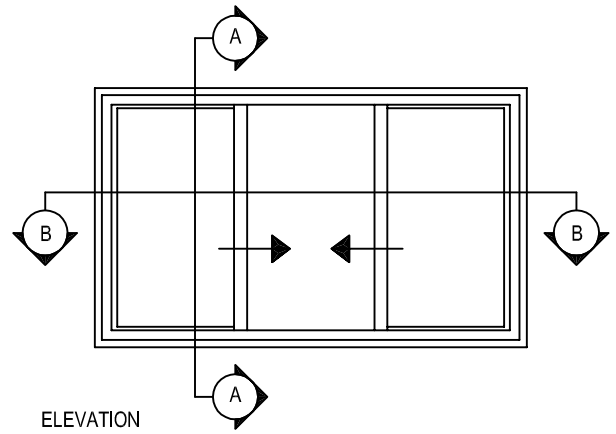


HEAD DETAIL

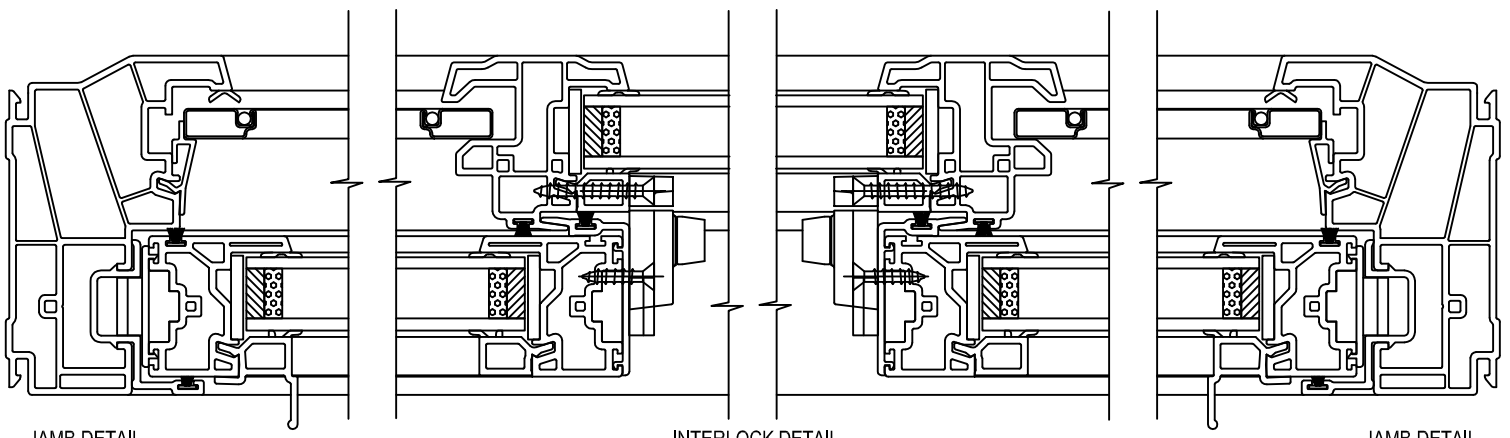
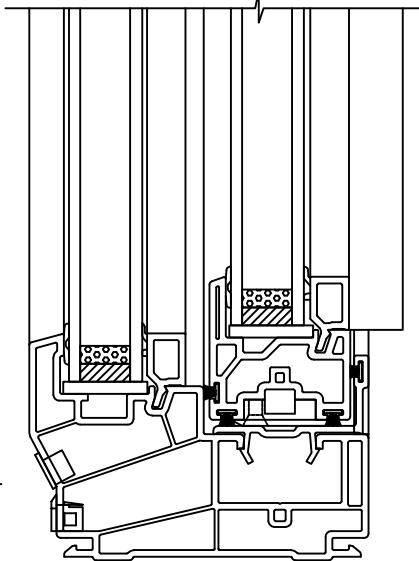


SECTION A - A



ELEVATION

SILL DETAIL



JAMB DETAIL

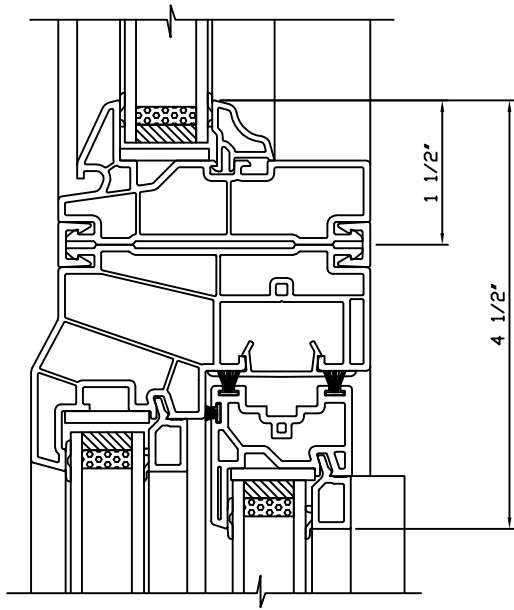
INTERLOCK DETAIL

JAMB DETAIL

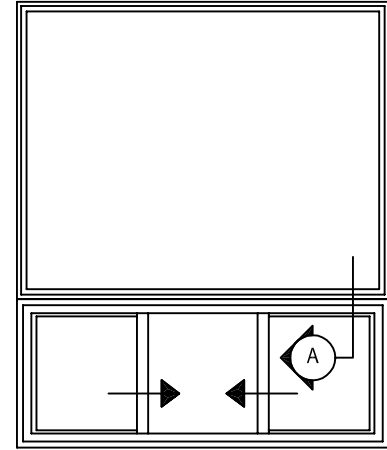
SECTION B - B



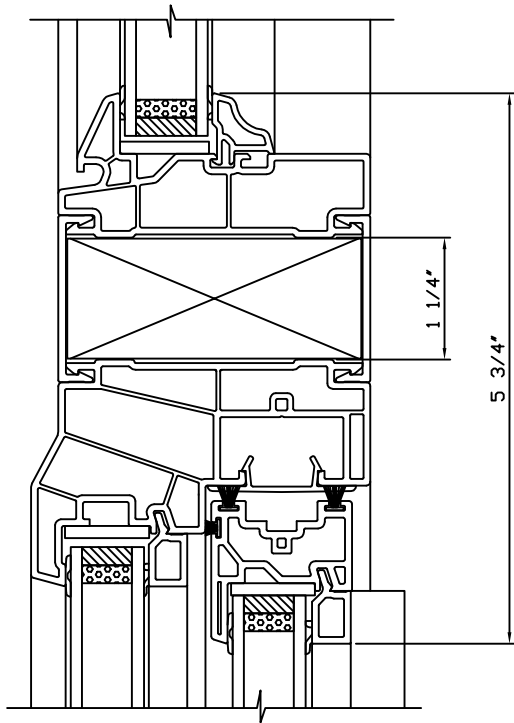
SERIES #1374  
3-LITE SINGLE SLIDER LIFTOUT  
SECTION DETAILS



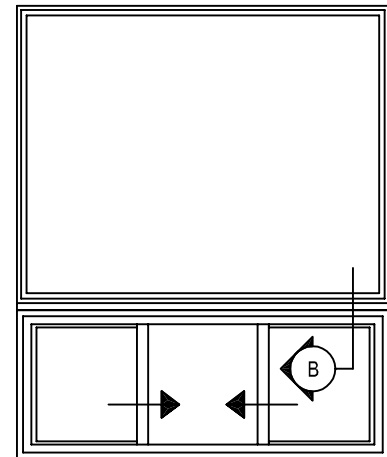
A - FIXED OVER 3 LITE SINGLE SLIDER LIFTOUT  
MULLION DETAIL



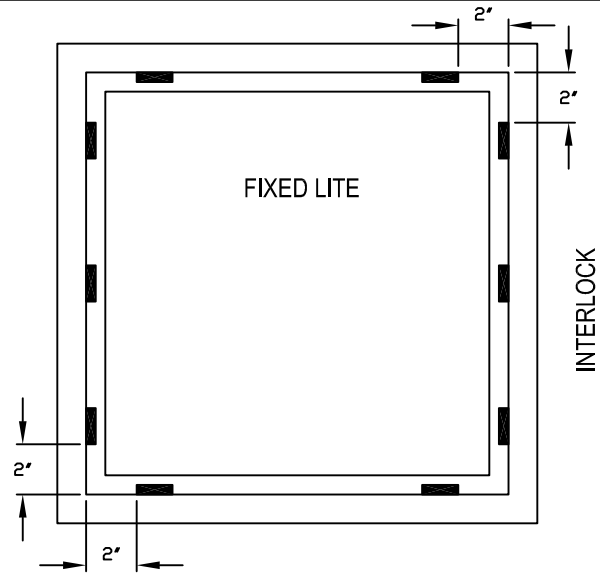
ELEVATION



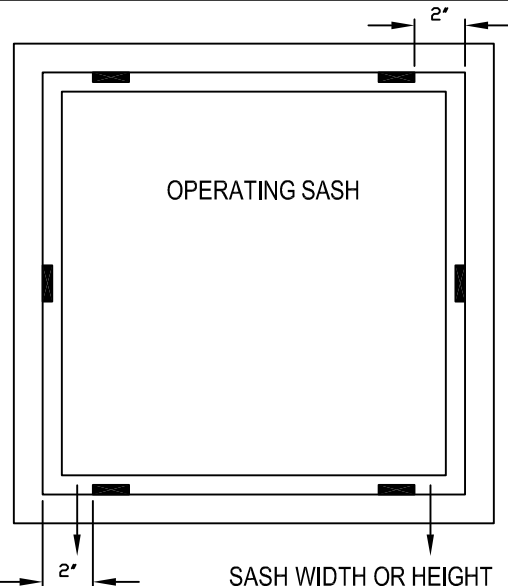
B - FIXED OVER 3 LITE SINGLE SLIDER LIFTOUT  
MULLION REINFORCEMENT DETAIL



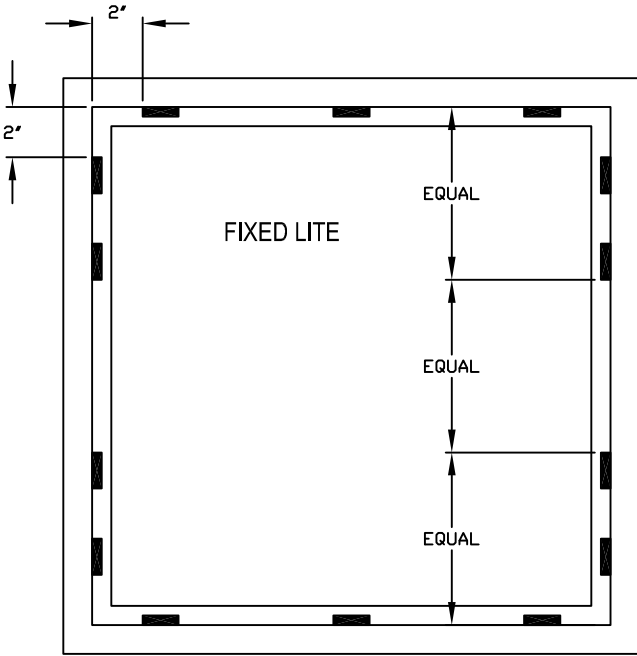
ELEVATION



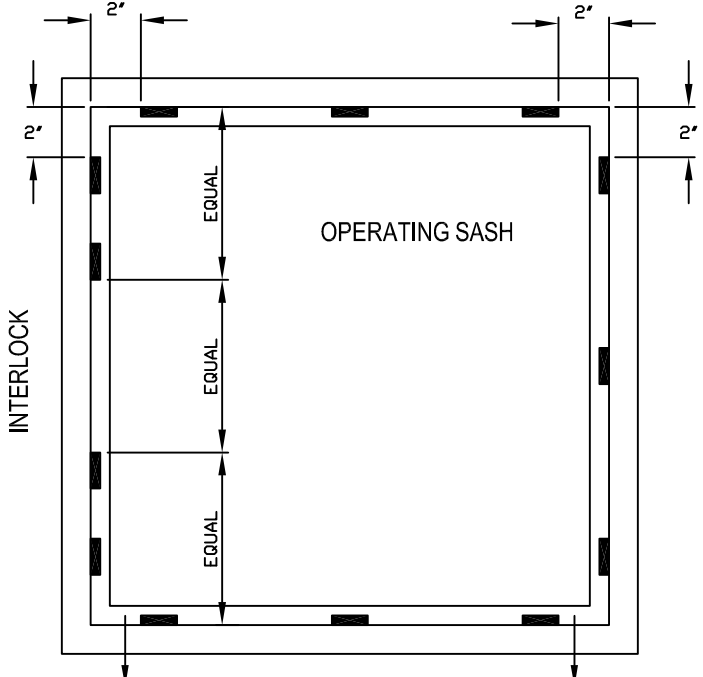
FRAME WIDTH 47-3/4" OR LESS  
FRAME HEIGHT 25-7/8" OR LESS



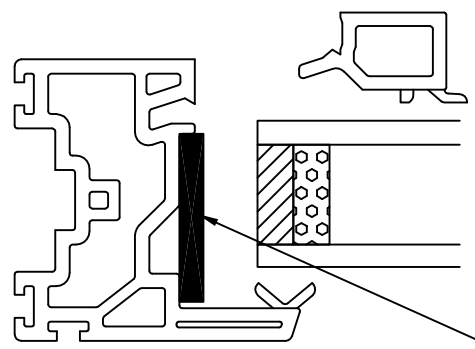
SASH WIDTH OR HEIGHT  
23-3/16" OR LESS  
(ONE LOCKING POINT)



FRAME WIDTH GREATER THAN 47-3/4"  
FRAME HEIGHT GREATER THAN 25-7/8"  
(TWO LOCKING POINTS)

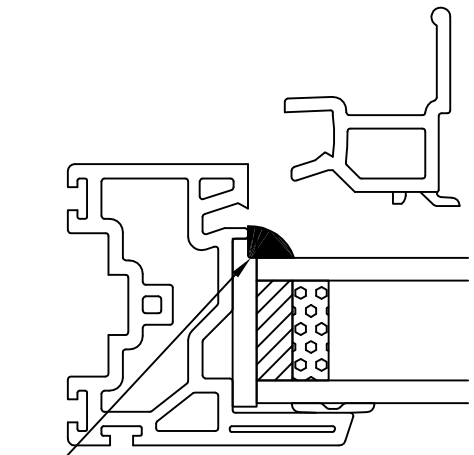
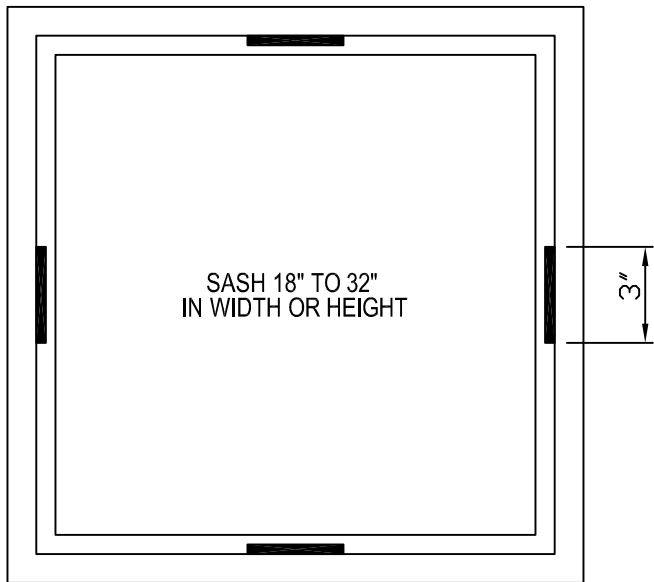
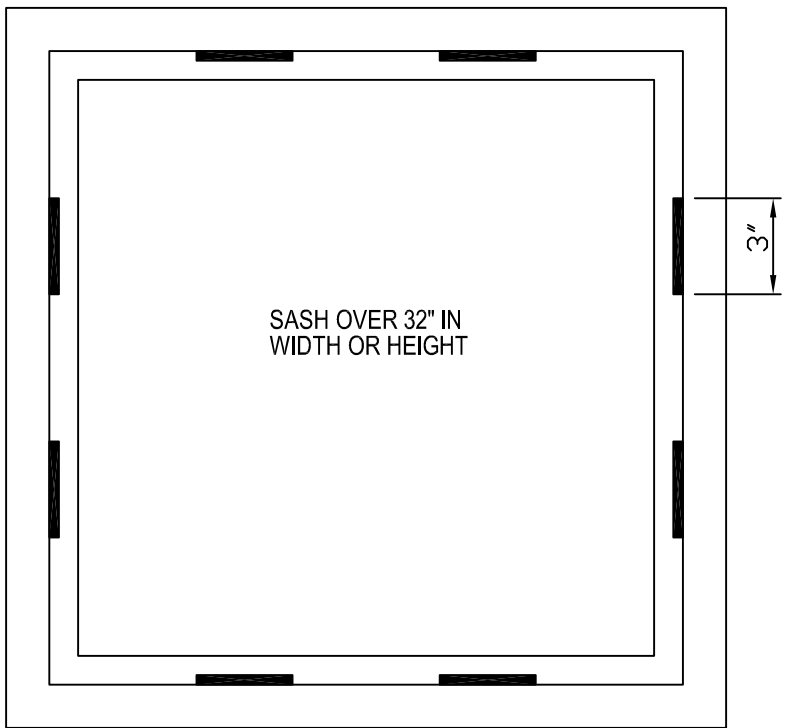


SASH WIDTH OR HEIGHT  
23-1/4" OR GREATER  
(TWO LOCKING POINTS)

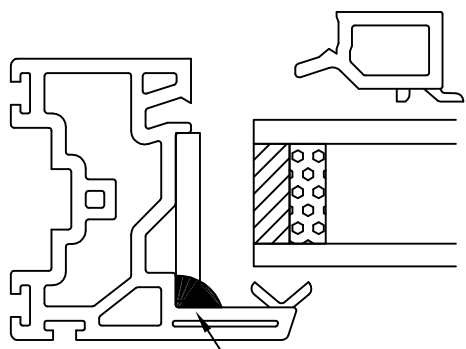


SETTING BLOCK 7/8" x 1-1/4" x 1/8"





SILICONE SASH PULL RAIL, QUARTER POINT, TO QUARTER POINT BEAD LENGTH



SILICONE 3" BEAD LENGTH

