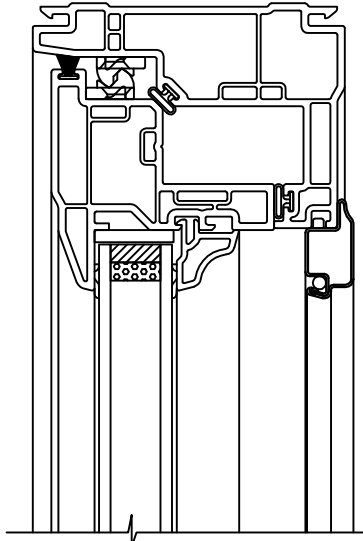
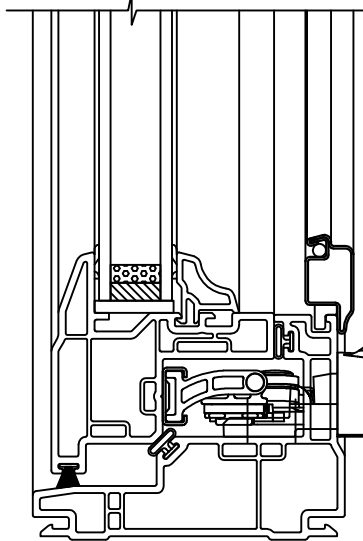


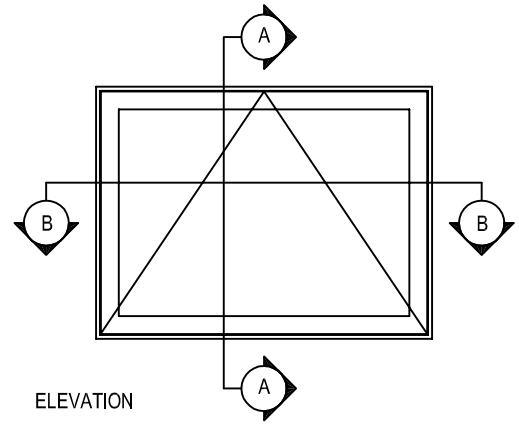
HEAD DETAIL



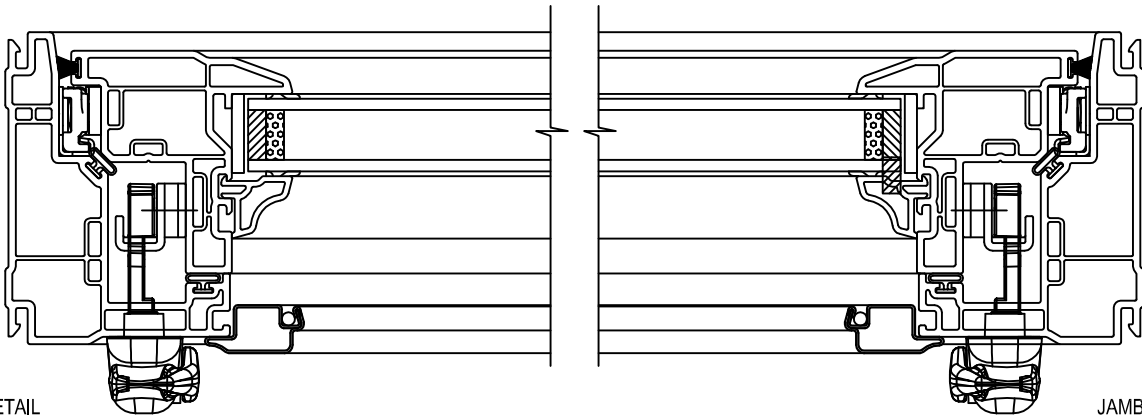
SILL DETAIL



SECTION A - A



ELEVATION



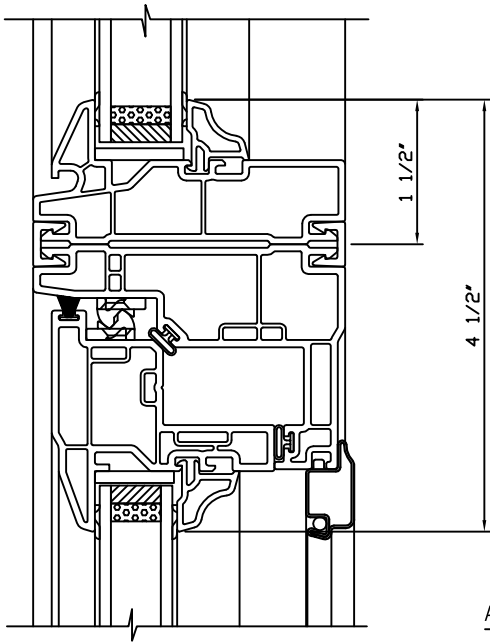
JAMB DETAIL

JAMB DETAIL

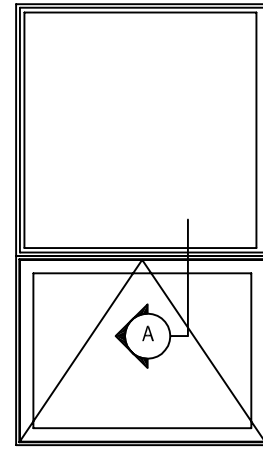
SECTION B - B



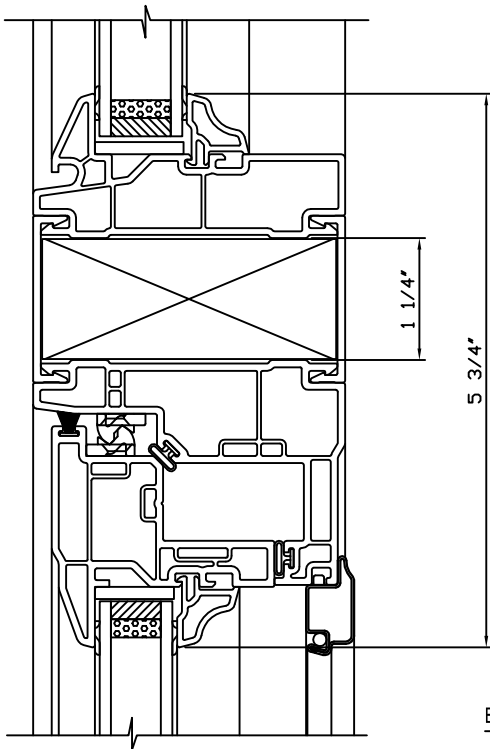
SERIES #1173  
AWNING  
HORIZONTAL & VERTICAL SECTION DETAILS



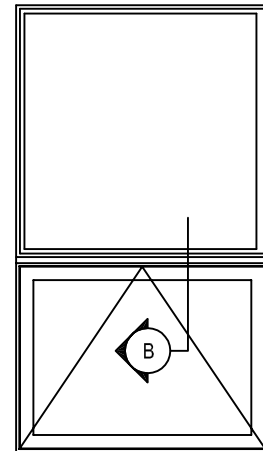
A - FIXED OVER AWNING  
MULLION DETAIL



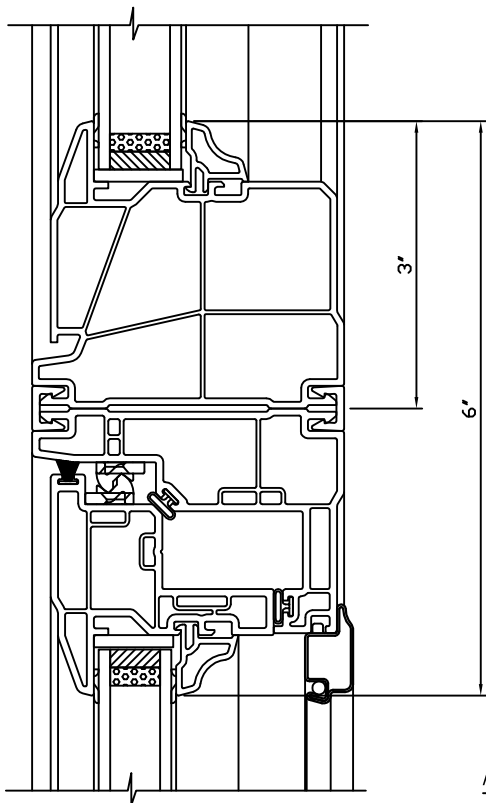
ELEVATION



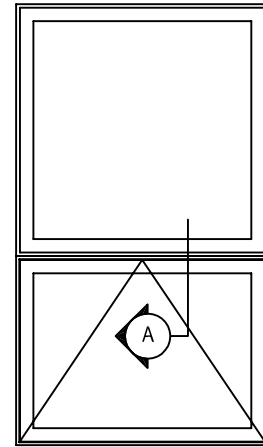
B - FIXED OVER AWNING  
MULLION REINFORCEMENT DETAIL



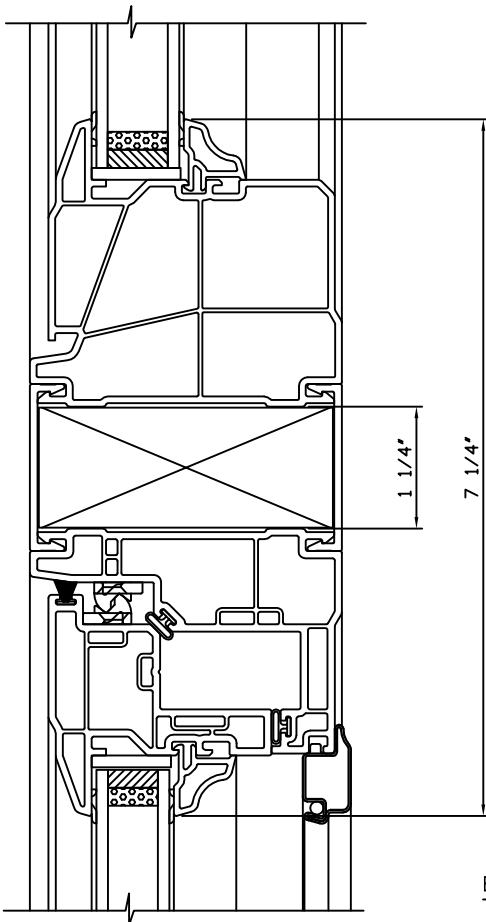
ELEVATION



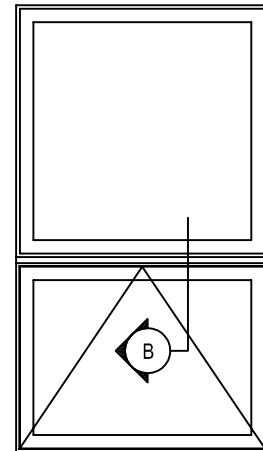
A - PICTURE OVER AWNING  
MULLION DETAIL



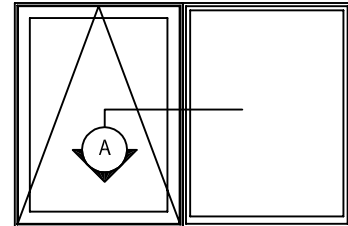
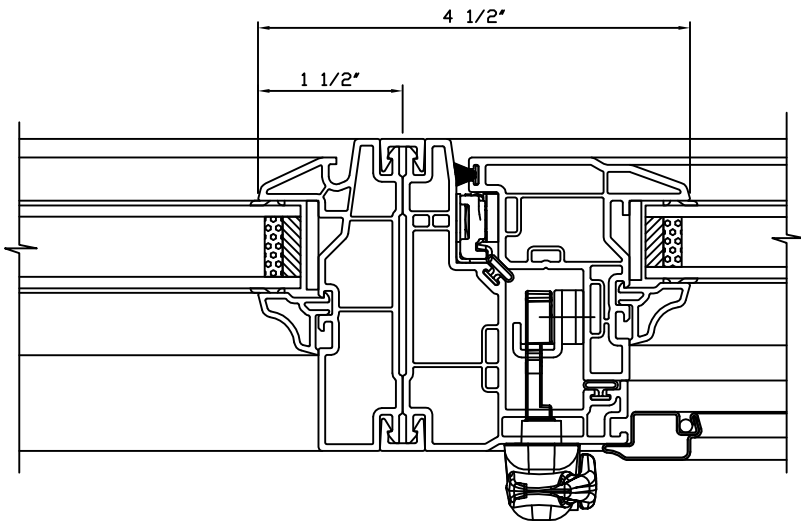
ELEVATION



B - PICTURE OVER AWNING  
MULLION REINFORCEMENT DETAIL

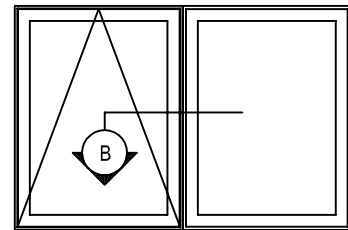
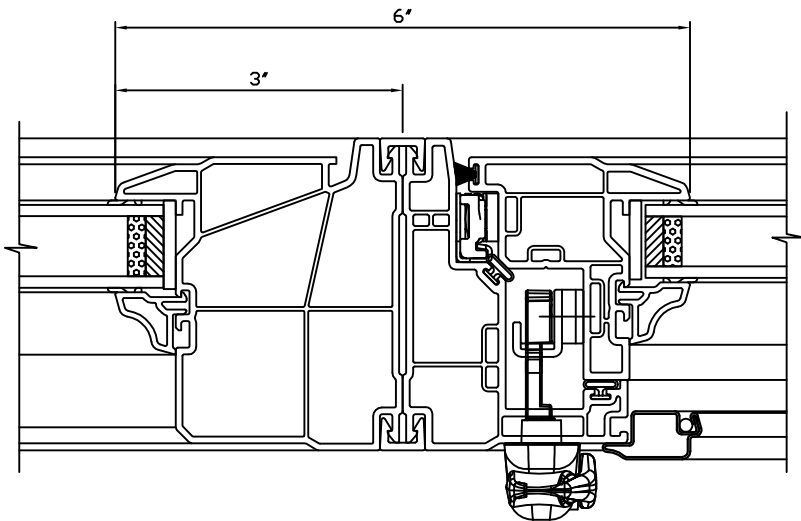


ELEVATION



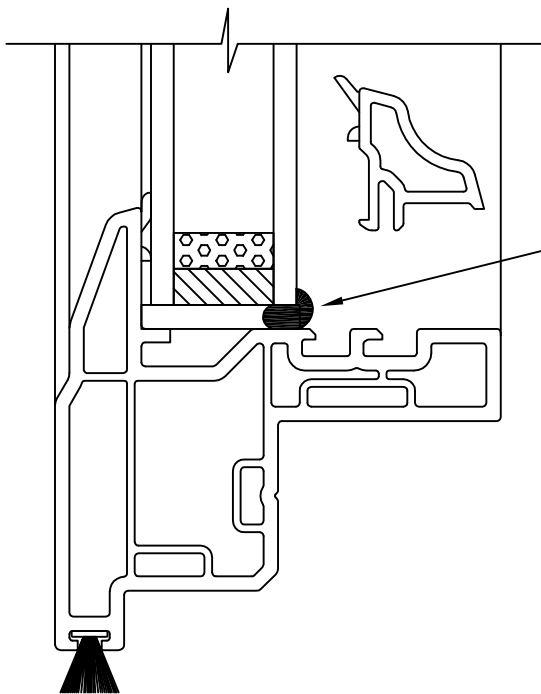
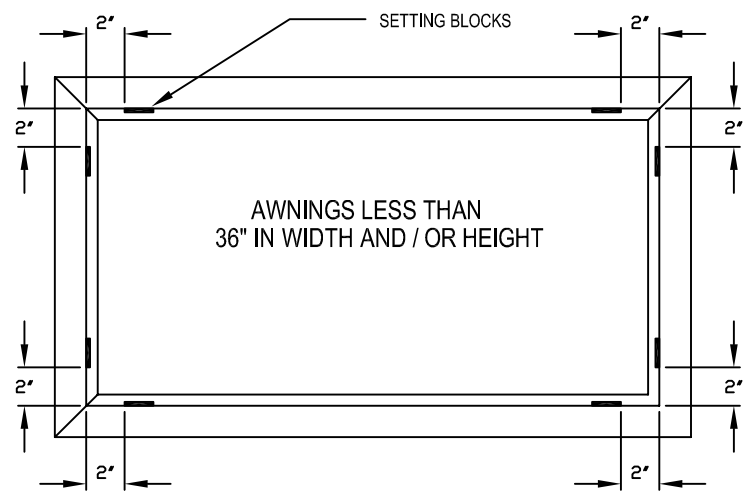
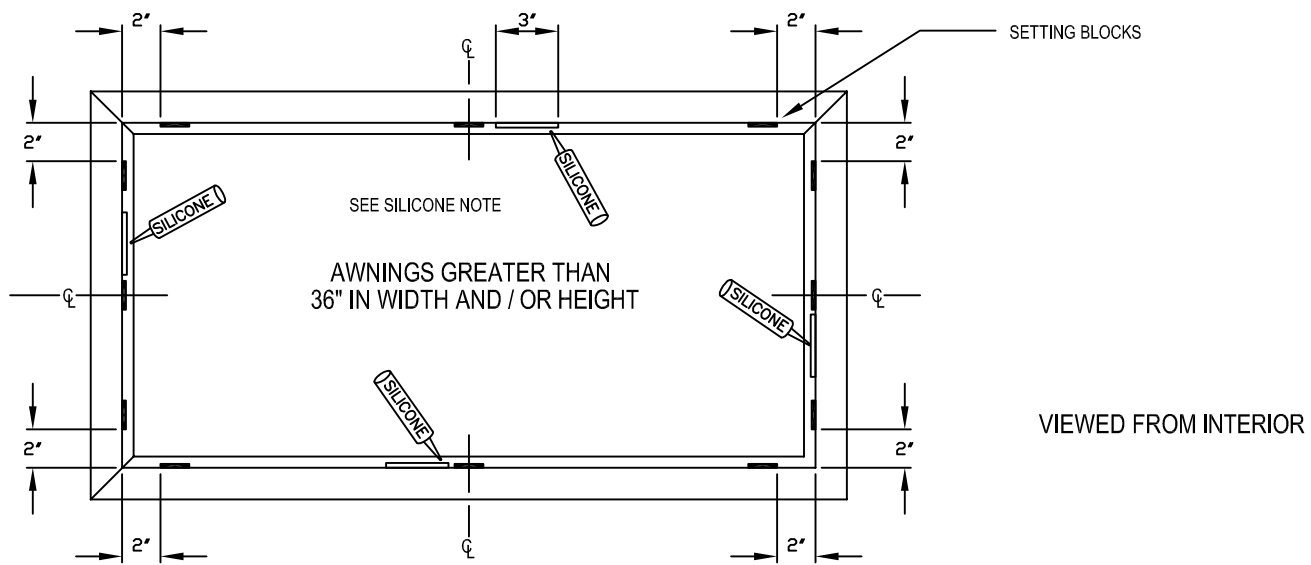
ELEVATION

A - AWNING / FIXED  
MULLION DETAIL



ELEVATION

B - AWNING / PICTURE  
MULLION DETAIL



**SILICONE NOTE:**  
 APPLY 3" HEAL BEAD OF SILICONE,  
 AT HORIZONTAL AND / OR VERTICAL MID POINTS, ON  
 UNITS 36" AND GREATER.