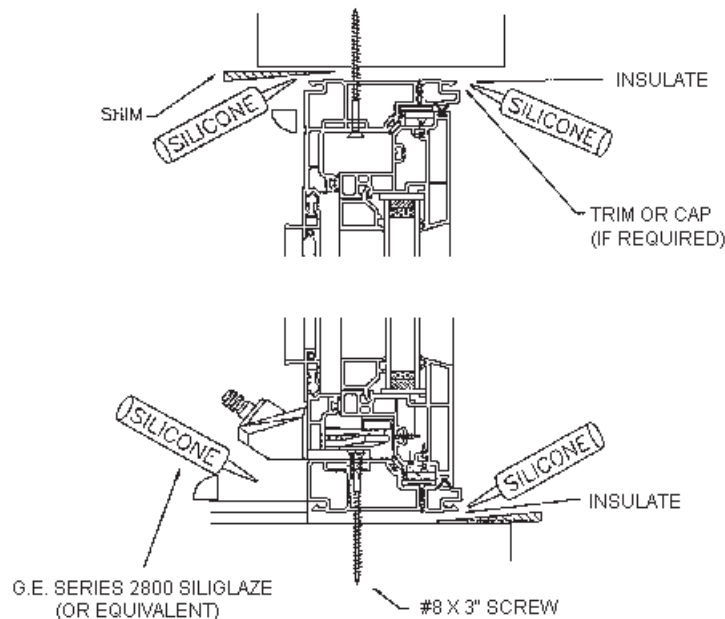


CASEMENT AND AWNING WINDOW INSTALLATION INSTRUCTIONS



- Casement and Awning Window Installation Instructions
 - Place window into the opening making sure that it is not forced into too small an opening.
 - Shim top and bottom frame members at 2" from either end and then approximately 16" on centre until the frame is square, plumb and level.
 - Remove the screen.
 - Open the sash fully and, after checking that the frame is plumb, square and level, screw #8 X 3" in the screw boss of the frame (slightly indented line) at shim locations. *Do not over-tighten, as this will distort the frame.*
 - *Important: Seal the screw heads in the bottom frame with "G.E. 2800 Siliglaze" or equivalent.*
 - Shim side frame members at approximately 24" on centre until frame is plumb, square and level.
 - In the screw boss, where the shims are located, screw #8 X 3" through the frame into the stud.
 - Close the sash and, before locking, visually inspect the exterior to see that the gap between the frame and sash remains constant. This ensures that the frame has been installed square and the sash is able to operate properly.
 - Install the screen.
 - Open and close the window several times to ensure smooth operation and locking.
 - Lightly pack insulation into the gap between the frame and rough opening making sure that all voids are filled. If urethane foams are used, extreme caution must be exercised. Expansion of foam may cause the frame to distort.
 - Seal the window inside and out
 - Trim to suit.
-