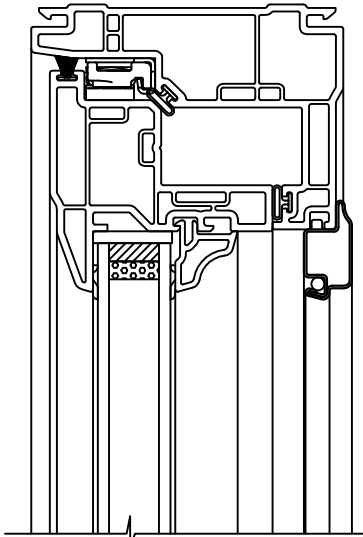
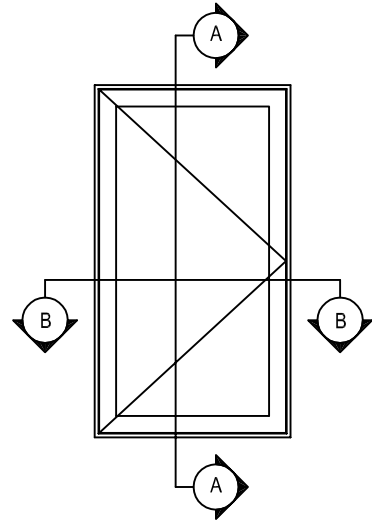


HEAD DETAIL

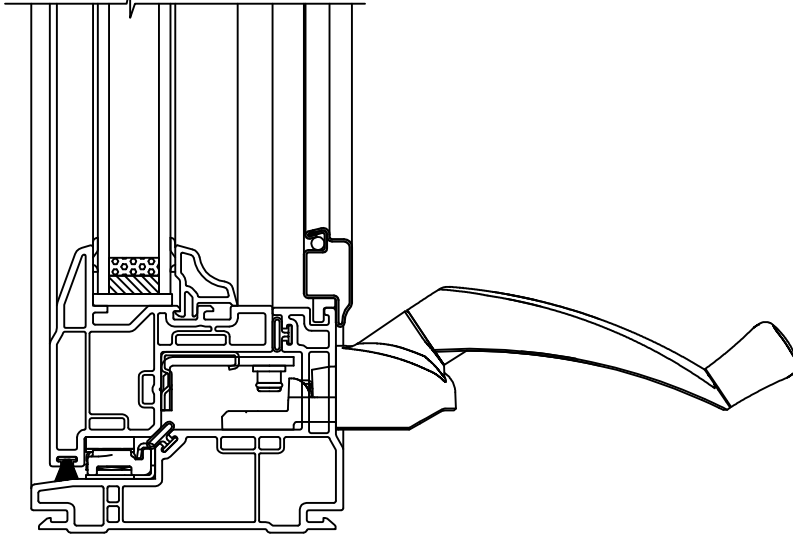


SECTION A - A

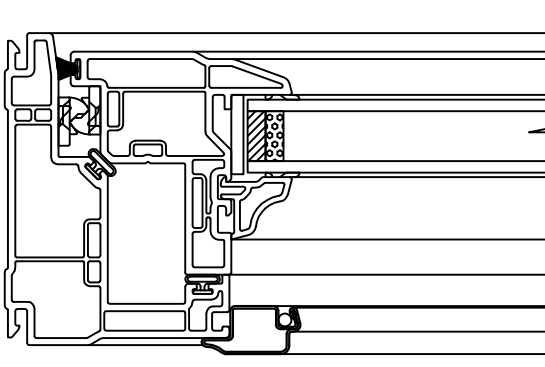


ELEVATION
EXTERIOR VIEW - RIGHT HAND HINGE

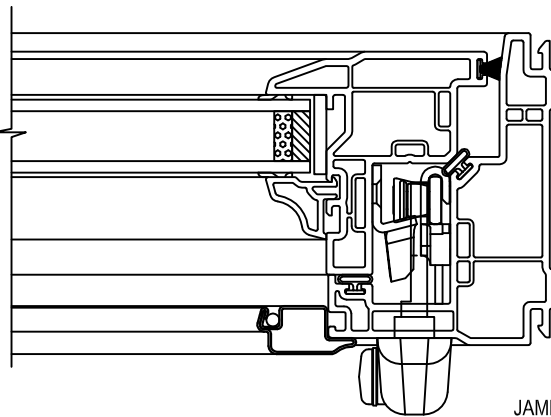
SILL DETAIL



JAMB DETAIL



JAMB DETAIL

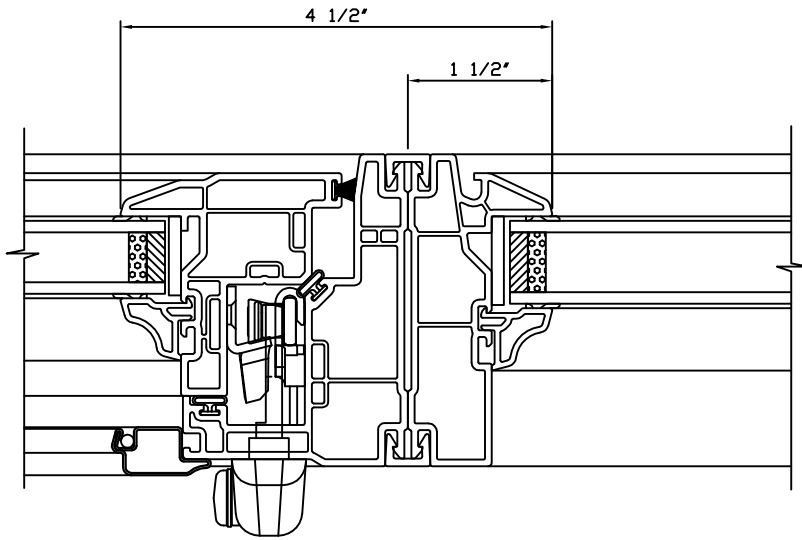


SECTION B - B

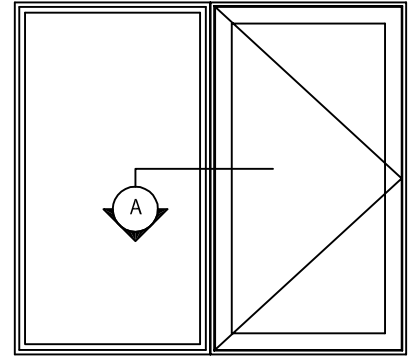


NORTH STAR
VINYL WINDOWS AND DOORS

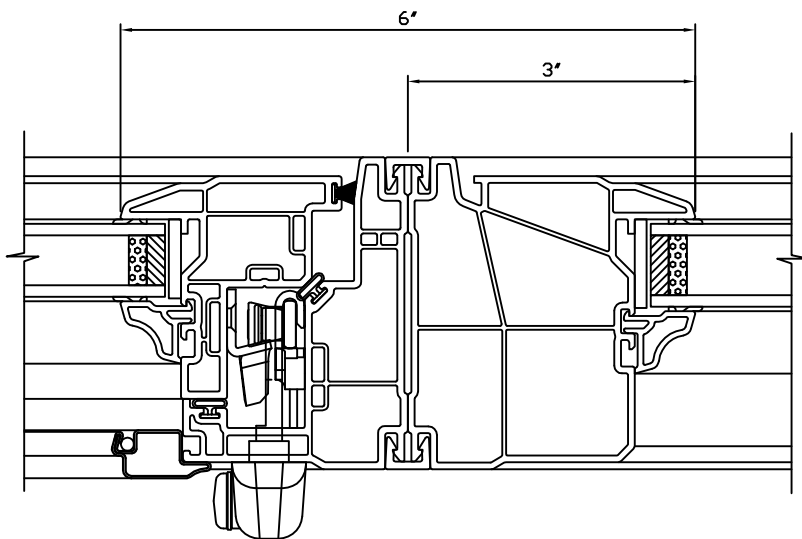
SERIES #1171
CASEMENT
HORIZONTAL & VERTICAL SECTION DETAILS



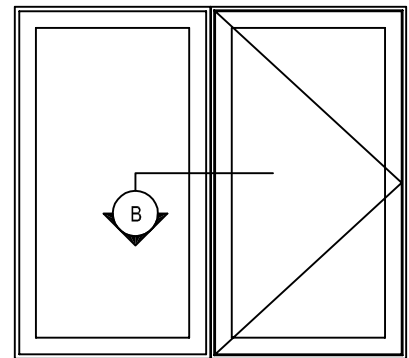
A - FIXED / CASEMENT
MULLION DETAIL



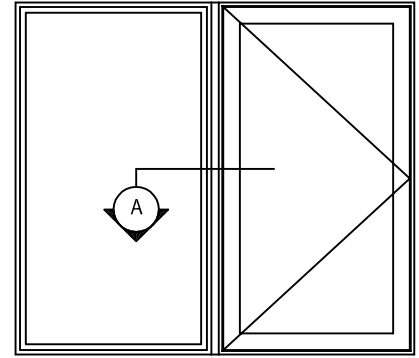
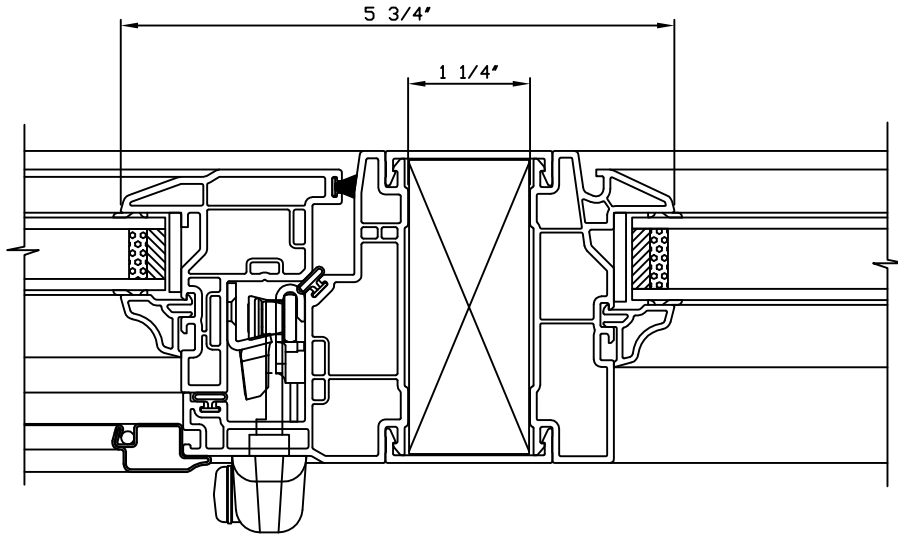
ELEVATION
EXTERIOR VIEW - RIGHT HAND HINGE



B - PICTURE / CASEMENT
MULLION DETAIL

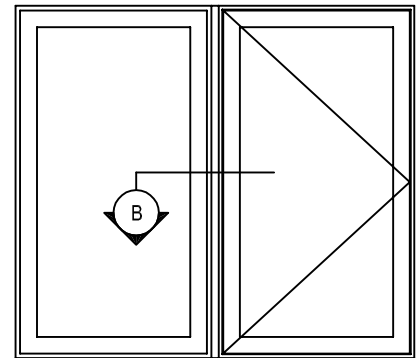
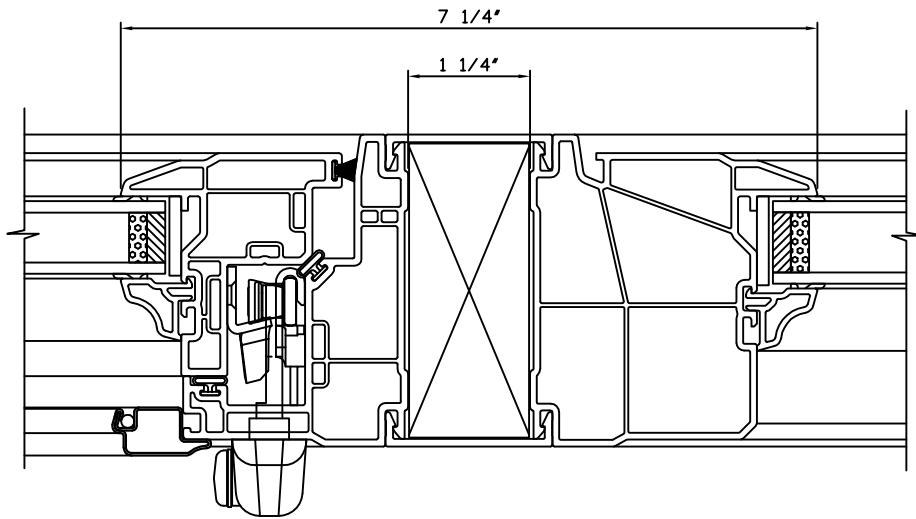


ELEVATION
EXTERIOR VIEW - RIGHT HAND HINGE



ELEVATION
EXTERIOR VIEW - RIGHT HAND HINGE

A - FIXED / CASEMENT
MULLION REINFORCEMENT DETAIL

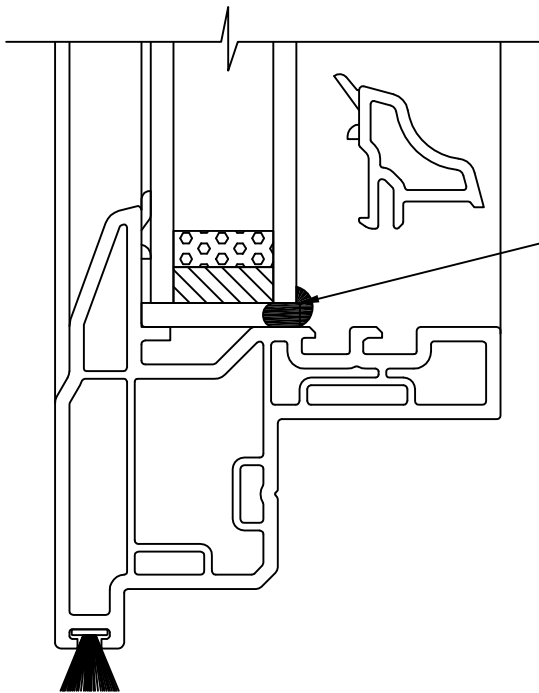
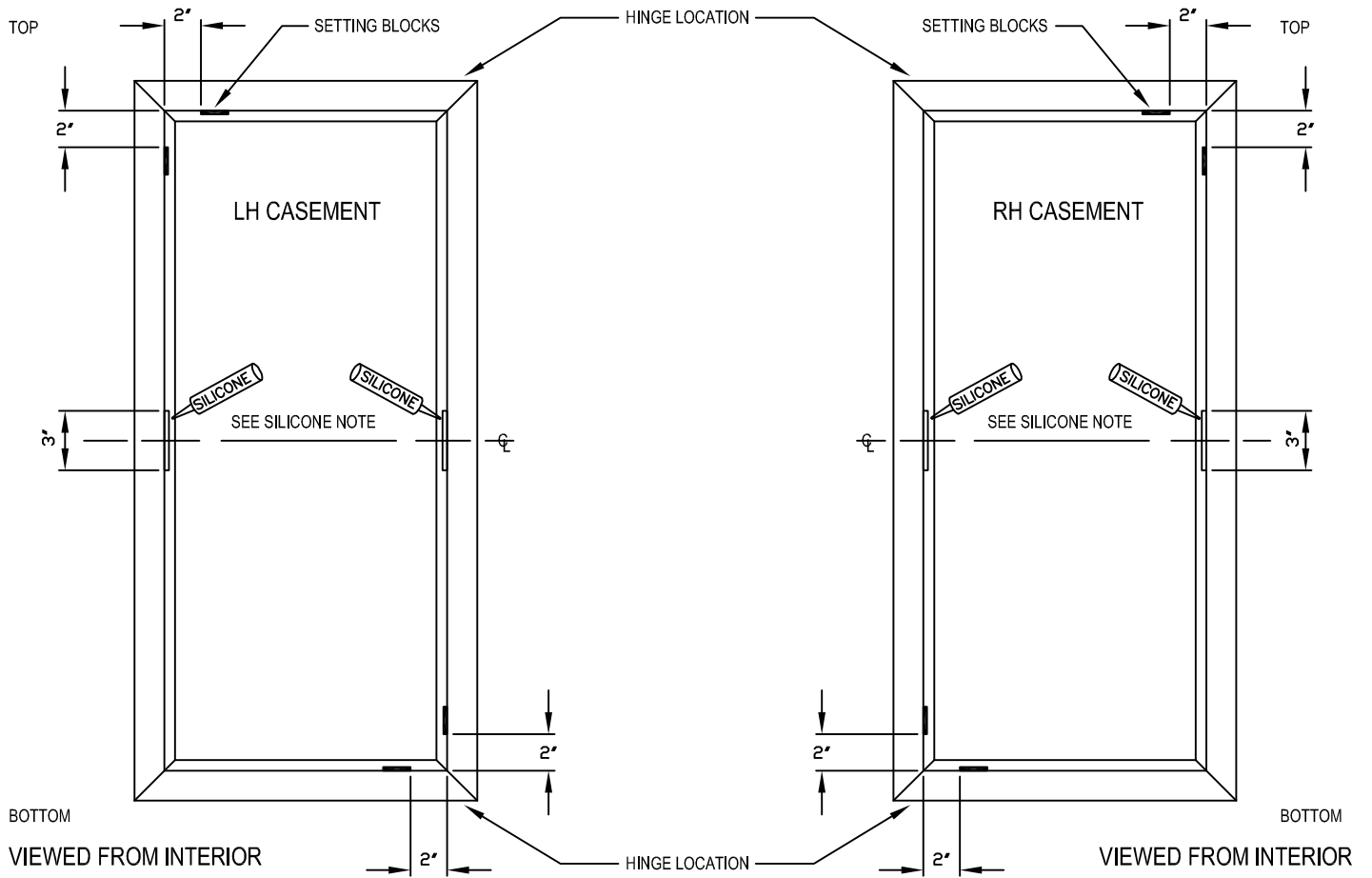


ELEVATION
EXTERIOR VIEW - RIGHT HAND HINGE

B - PICTURE / CASEMENT
MULLION REINFORCEMENT DETAIL



SERIES #1171
CASEMENT
MULLION DETAILS



SILICONE NOTE:
 APPLY 3" HEAL BEAD OF SILICONE,
 AT VERTICAL MID POINTS, ON UNITS 48" AND TALLER.