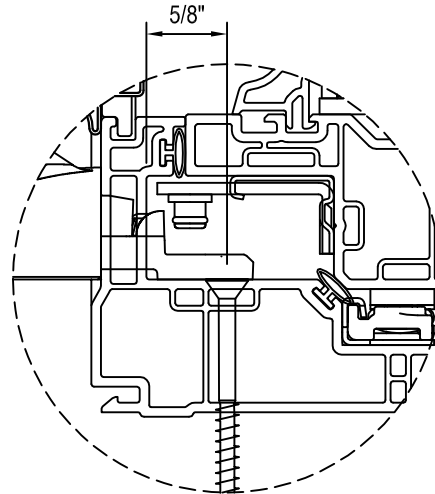
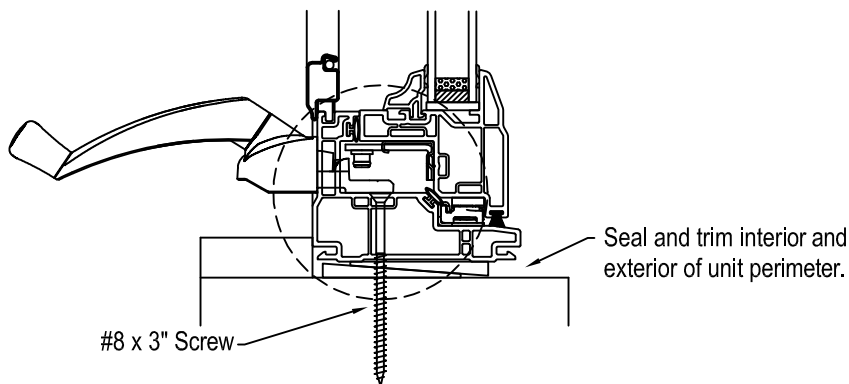
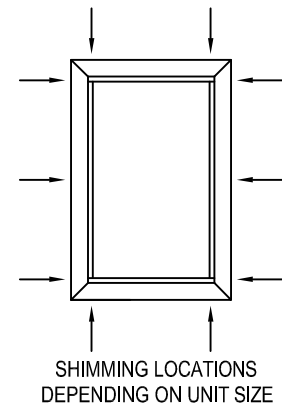
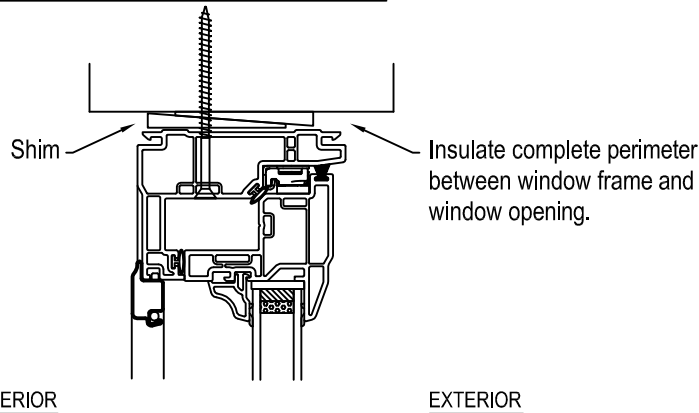


INSTALLATION INSTRUCTIONS

SERIES #1171 CASEMENT WINDOW

SERIES #1173 AWNING WINDOW



- 1.) Check rough opening to ensure that the window unit will fit. The rough opening should be 1/4" to 1/2" larger than the window, both horizontally and vertically.
- 2.) Center frame in opening so there is equal space between the jambs of the frame and the jambs of the rough opening. Begin by shimming the sill so it is level and 1/8" to 1/4" off the sill plate. Sill and head shim placement should be 2" in from each corner and at approximately 16" intervals. Shims should be firm but not tight enough to cause the jambs to bow. Check level, plumb and squareness of frame and adjust shims if necessary.
- 3.) Remove screen.
- 4.) Open sash fully. Install using suggested #8 x 3" screws at each of the sill and head shim locations, being careful not to bow frame. Screw length is dependent upon frame structure, screw length must be of sufficient length to securely anchor unit in opening. Screw position is 5/8" away from frame internal wall as shown above.
- 5.) Shim side frame members 2" in from each end and at approximately 24" intervals, ensure unit remains level, plumb and square.
- 6.) Install screws at each of the side jamb shim locations.
- 7.) **IMPORTANT:** Seal screw heads in bottom of frame (sill), with "GE 2800" silicone or equivalent.
- 8.) Close sash and before locking, visually inspect the exterior of the window to ensure that the gap between frame and sash members remain constant. If operator fails to open, close or lock properly, verify sill and jambs are square using the measuring tape to cross measure corner to corner (square openings have equal cross measurements). The window can be readjusted by loosening the screws, leveling, shimming and re-tightening them as required.
- 9.) Install screen.
- 10.) Insulate between the window frame and the rough opening, ensuring all voids are filled. Caution must be exercised not to over pack the insulation, causing unit frame to distort.
- 11.) Seal and trim window inside and out to suit application.