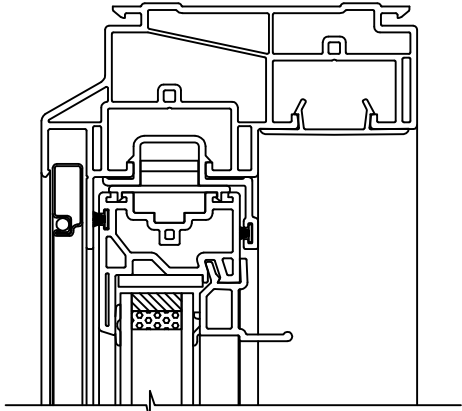
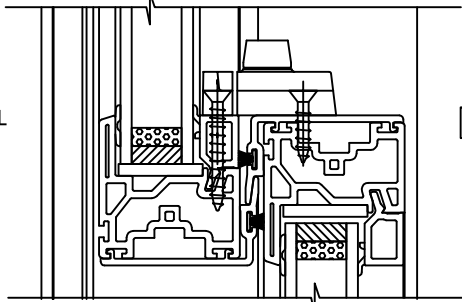


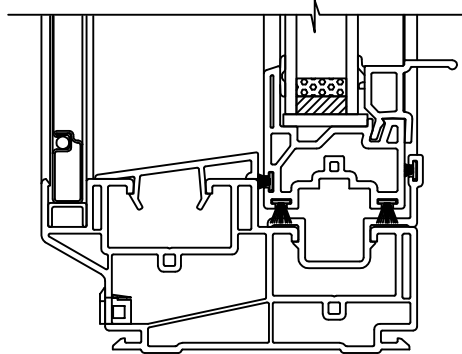
HEAD DETAIL



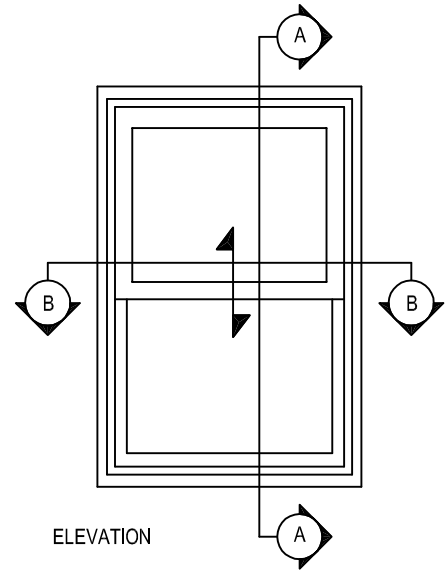
MEETING RAIL DETAIL



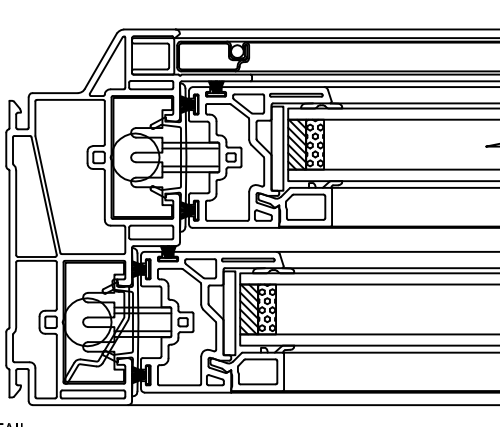
SILL DETAIL



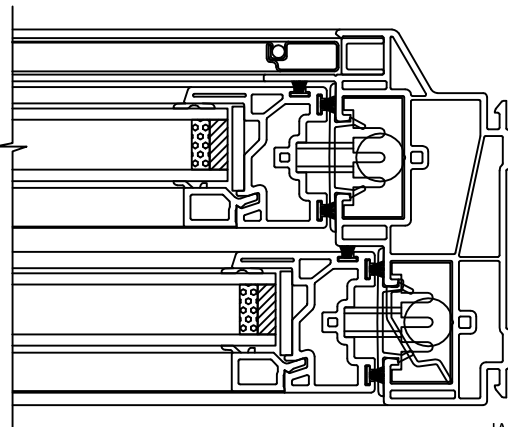
SECTION A - A



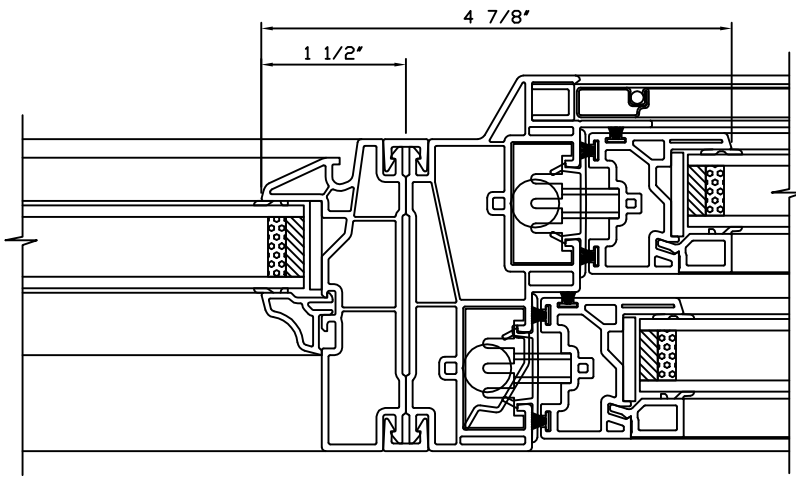
JAMB DETAIL



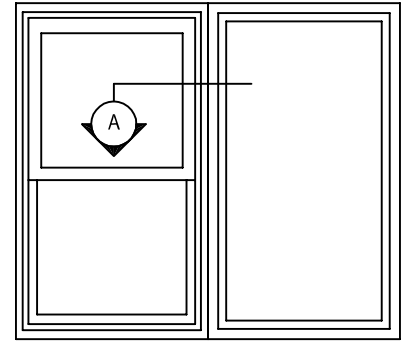
JAMB DETAIL



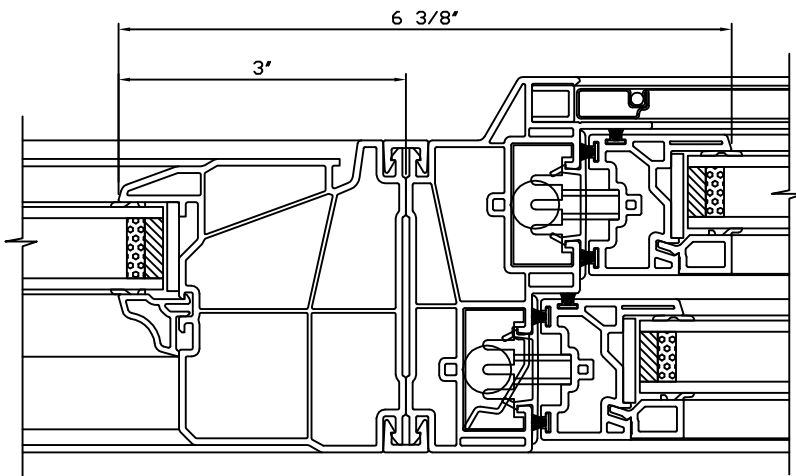
SECTION B - B



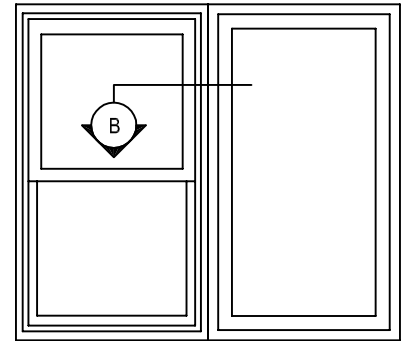
A - DOUBLE HUNG TILT / FIXED
MULLION DETAIL



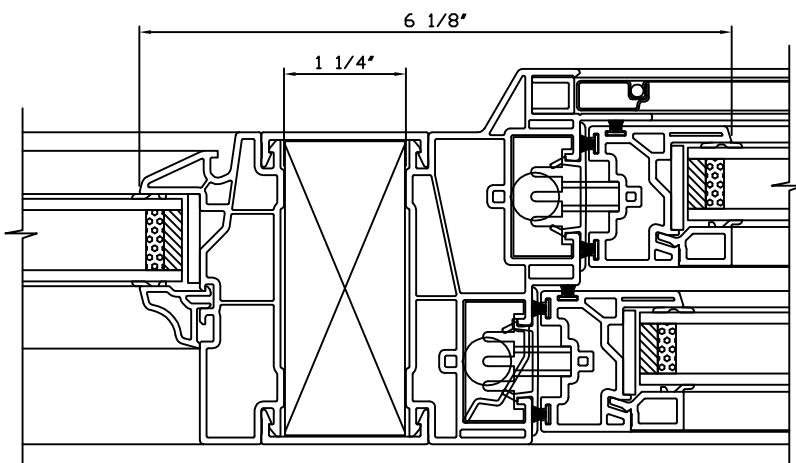
ELEVATION



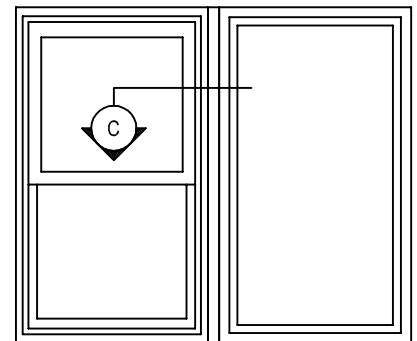
B - DOUBLE HUNG TILT / PICTURE
MULLION DETAIL



ELEVATION



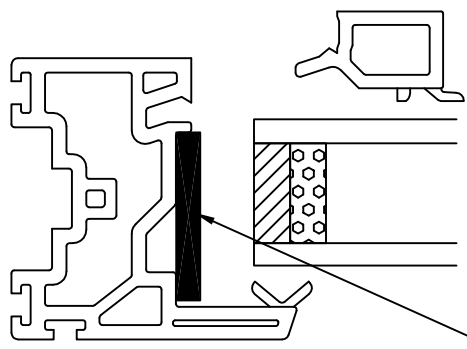
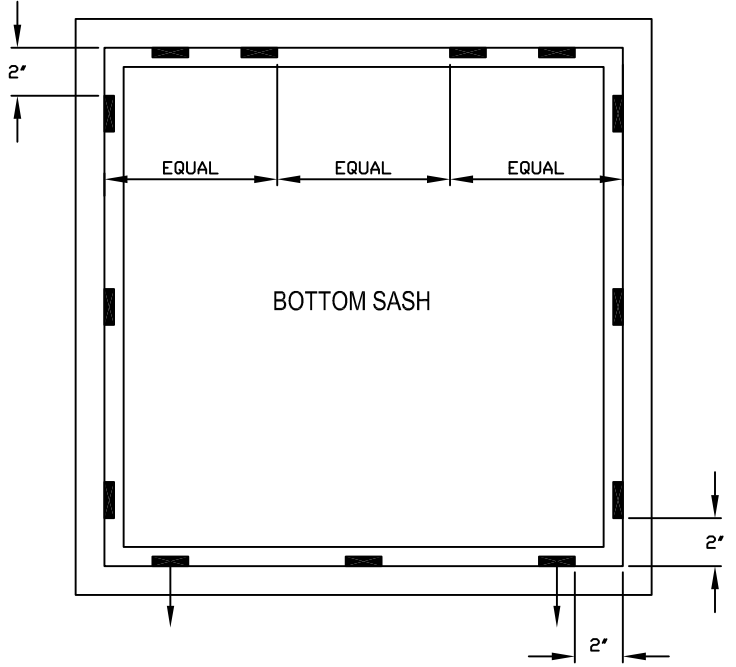
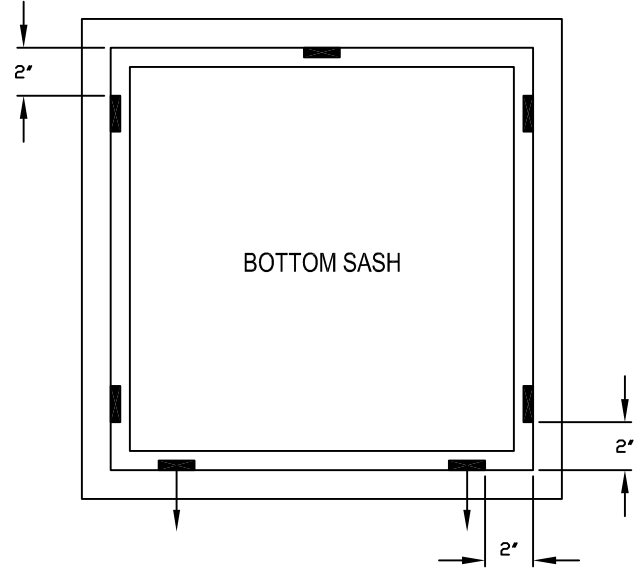
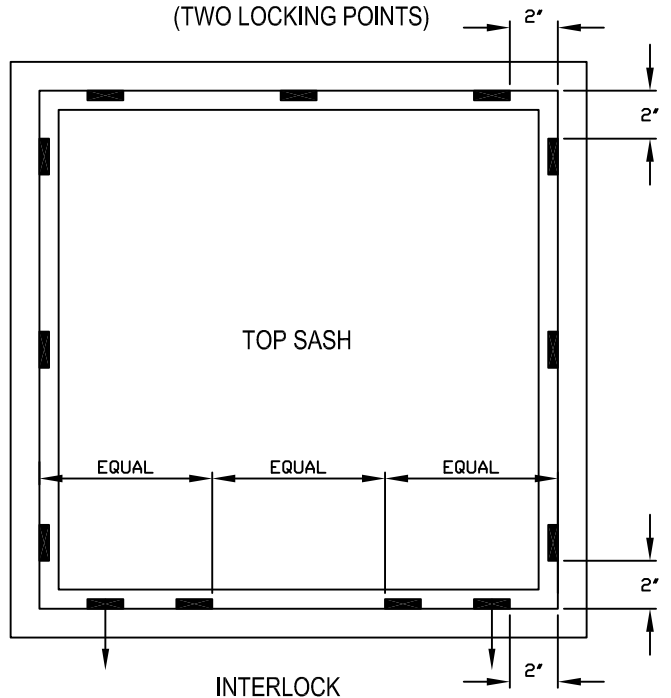
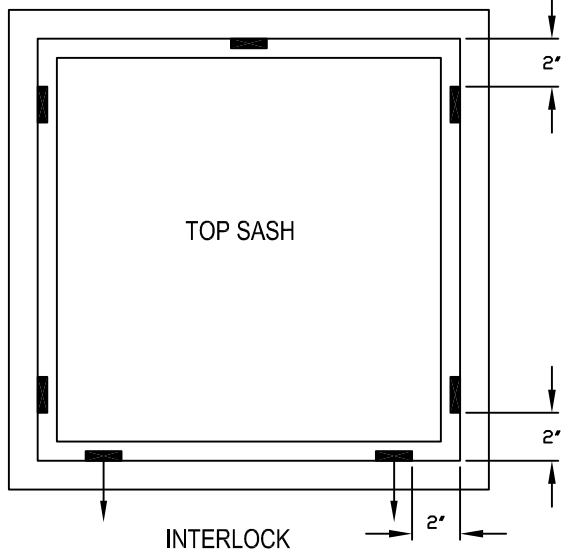
C - DOUBLE HUNG TILT / FIXED
MULLION REINFORCEMENT DETAIL



ELEVATION

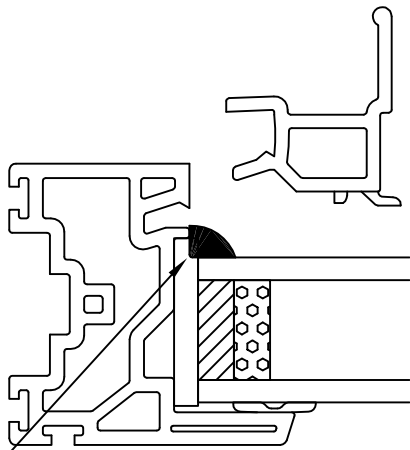
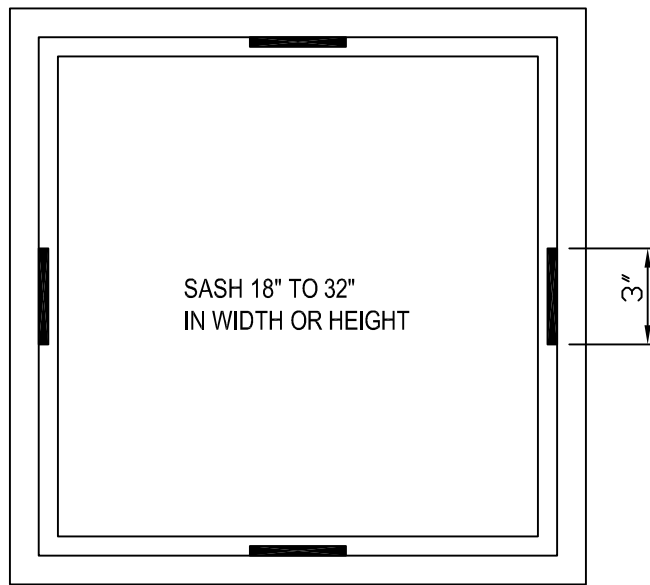
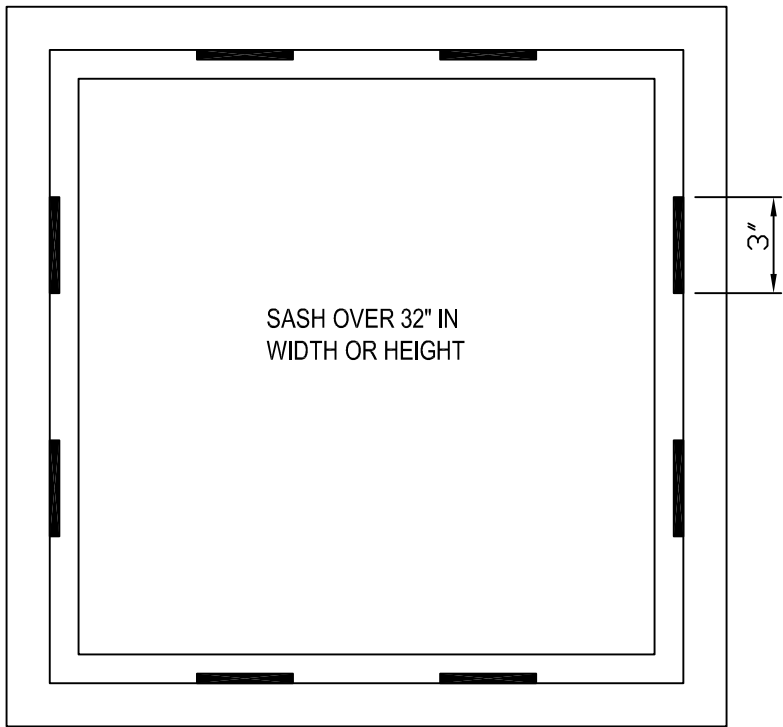
SASH WIDTH OR HEIGHT
23-3/16" OR LESS
(ONE LOCKING POINT)

SASH WIDTH OR HEIGHT
23-1/4" OR GREATER
(TWO LOCKING POINTS)

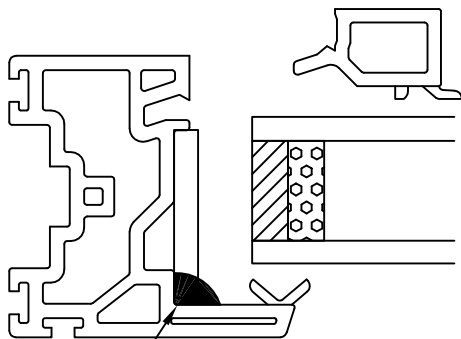


SETTING BLOCK 7/8" x 1-1/4" x 1/8"





SILICONE SASH LIFT RAIL, QUARTER POINT TO QUARTER POINT BEAD LENGTH



SILICONE 3" BEAD LENGTH