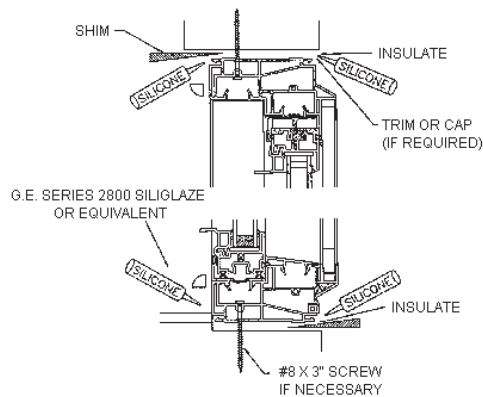




DOUBLE VERTICAL SLIDER WINDOW INSTALLATION INSTRUCTIONS



- *Do not cut the centre banding.*
- Place window into the opening making sure that it is not forced into too small an opening.
- Unlock the window and slide both sashes to the centre.
- Locate head and sill jamb covers (snap-in cover with weatherstripping on bottom and flat pocket cover on top of the window) and remove them by inserting a sharp chisel and prying them out.
- *Note: Remove bottom sill jamb only if necessary.*
- Shim top and bottom frame 4" from the top and bottom and then at approximately 16" on centre until the frame is square, plumb and level.
- Screw #8 X 3" screws through frame pockets where jamb covers were removed at shim locations. *Do not over-tighten, as this will distort the frame.*
- Important: Seal screw heads in the bottom track with "GE 2800 Siliglaze" or equivalent.
- Snap head and sill cover back into frame.
- Close the sashes and lock the window.
- Shim frame sides at the midpoint until frame is level. There should be the same gap between the sash and frame at the midpoint as at the top and bottom. This ensures a proper seal.
- Cut centre banding and pull it out.
- Raise lower sash completely and tilt inward.
- Screw #8 X 3" screws into the interior track between the pivot shoe (square nylon block that slides up and down with the sash) and the bottom of the spiral balance. *Do not put screws in path of the pivot shoe as this would hinder the operation of the window.*
- Tilt the sash back into the frame and check to see that the gap between the frame and sashes remains constant over the entire height of the window.
- Locate outside bottom sash stops and slide upward to expose frame track.
- Screw #8 x 3" screws through the exposed frame at shim location. Slide sash stops back to the original position.
- Repeat the last two processes with the sash stops on the top of the inside track.
- Lightly pack insulation into the gap between the frame and rough opening making sure that all voids are filled. If urethane foams are used, extreme caution must be exercised. Expansion of foam may cause the frame to distort.
- Seal the window inside and out.
- Trim to suit.