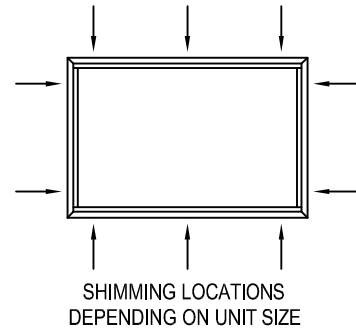
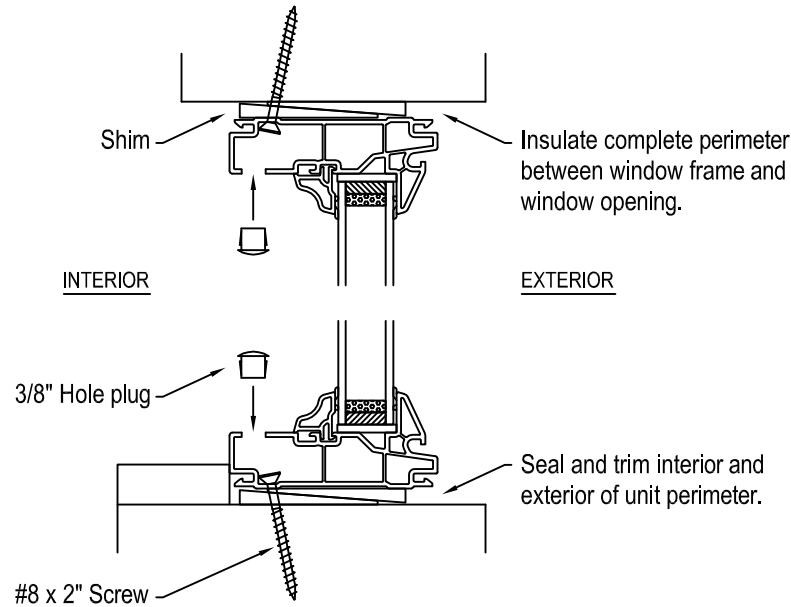


# INSTALLATION INSTRUCTIONS

## SERIES #1071 FIXED WINDOW (NO SASH)



- 1.) Check rough opening to ensure that the window unit will fit. The rough opening should be 1/4" to 1/2" larger than the window, both horizontally and vertically.
- 2.) Center frame in opening so there is equal space between the jambs of the frame and the jambs of the rough opening. Shim sill so it is level and 1/8" to 1/4" off of the sill plate. Shim placement should be 4" in from each corner and then at approximately 24" intervals. Shims should be firm but not tight enough to cause the jambs to bow. Check level, plumb and squareness of frame and adjust shims if necessary.
- 3.) At each shim location, drill a 3/8" diameter hole through first wall of the interior frame.
- 4.) Install using suggested #8 x 2" screws at each of these locations being careful not to bow frame. Screw length is dependent upon framing structure, and must be of sufficient length to securely anchor unit in opening. Once all installation screws have been installed, re-verify that the unit has remained level, plumb and square. The window unit can be readjusted by loosening the screws, leveling, shimming, and re-tightening them as required.
- 5.) Cap the 3/8" diameter holes with 3/8" plastic hole plugs.
- 6.) Insulate between the window frame and the rough opening, ensuring all voids are filled. Caution must be exercised not to over pack the insulation, causing unit frame to distort.