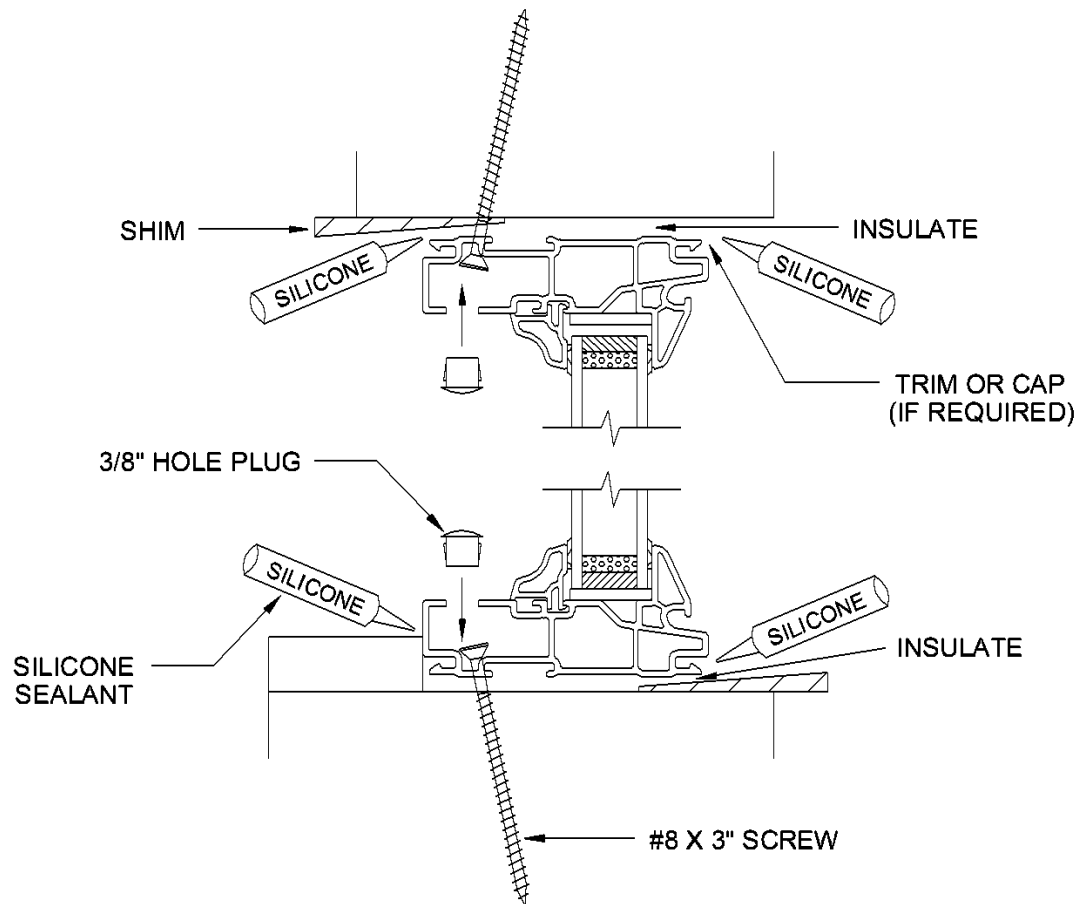


Shaped Window - Installation Instructions



- Place window into the opening making sure that it is not forced into too small an opening.
- Drill 3/8" holes through the first wall of the interior frame extrusion (not on the glazing stop) at roughly 24" on centre.
- Shim between the frame and rough opening at locations where the holes have been drilled.
- After checking to see that the frame is square, plumb and level, screw #8 X 3" screws through the 3/8" holes into the stud. Be sure not to over tighten. *Never remove glazing stops to put screws into the glazing cavity.*
- Cover 3/8" holes with 3/8" hole plugs.
- Lightly pack insulation into the gap between the frame and rough opening making sure that all voids are filled. If urethane foams are used, extreme caution must be exercised. Expansion of foam may cause the frame to distort.
- Seal the window inside and out.
- Trim to suit.