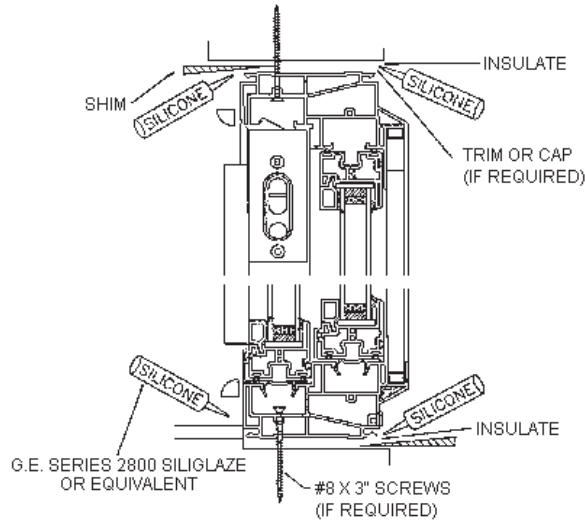




## SINGLE HORIZONTAL SLIDER LIFT WINDOW INSTALLATION INSTRUCTIONS

---



- Place window into the opening making sure that it is not forced into too small an opening.
  - Unlock the window and slide the operating sash to the centre.
  - Locate side jamb covers (snap-in cover with weatherstripping at the operating end of the window and flat pocket cover at the fixed end) and remove them by inserting a sharp chisel and prying them out.
  - Shim side frame 4" from the top and bottom and at approximately 16" on centre until the frame is square, plumb and level.
  - Screw #8 X 3" screws through frame pockets where jamb covers were removed at shim locations. *Do not over-tighten, as this will distort the frame.*
  - Close the sash and lock the window.
  - Shim frame top and bottom at the midpoint until frame is level. There should be the same gap between the sash and frame at the midpoint as at either end. This ensures a proper seal.
  - Remove the operating sash.
  - In the exposed top track, screw #8 X 3" screws through the frame approximately 24" on centre.
  - If required, remove the interior sill cover on the bottom (snap in cover with weatherstrip) of the interior track by prying with a sharp chisel, and screw #8 X 3" screws into frame pocket.
  - *Important: Seal screw heads in the bottom track with "GE 2800 Siliglaze" or equivalent.*
  - Snap interior sill cover back into frame on bottom.
  - Snap side jamb covers back into frame on both ends.
  - Put the sash back into the frame and check to see that the gap between the frame and sashes remains constant over the entire width of the window.
  - Lightly pack insulation into the gap between the frame and rough opening making sure that all voids are filled. If urethane foams are used, extreme caution must be exercised. Expansion of foam may cause the frame to distort.
  - Seal the window inside and out.
  - Trim to suit.
-