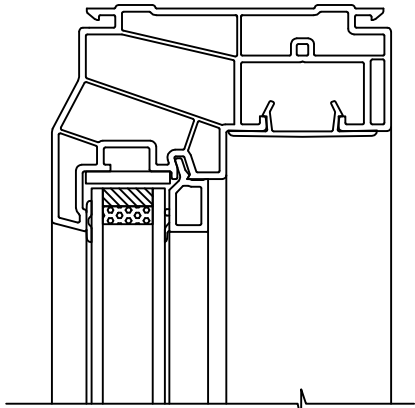
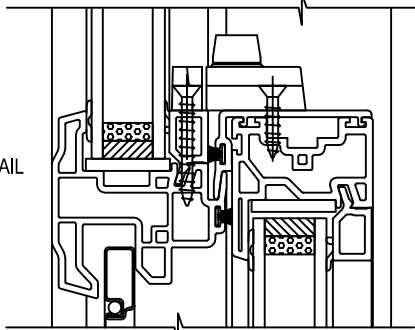


HEAD DETAIL

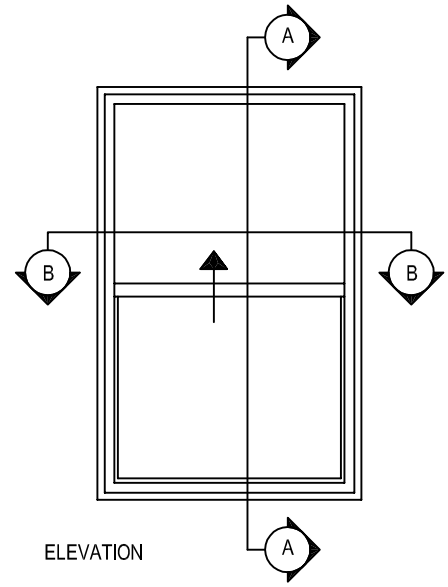
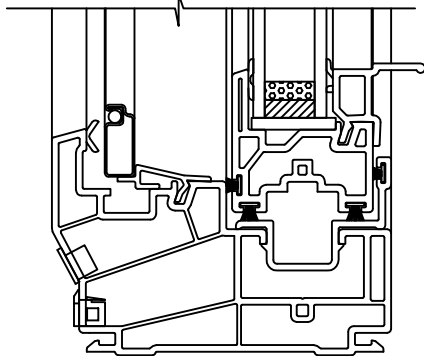


INTERLOCK DETAIL

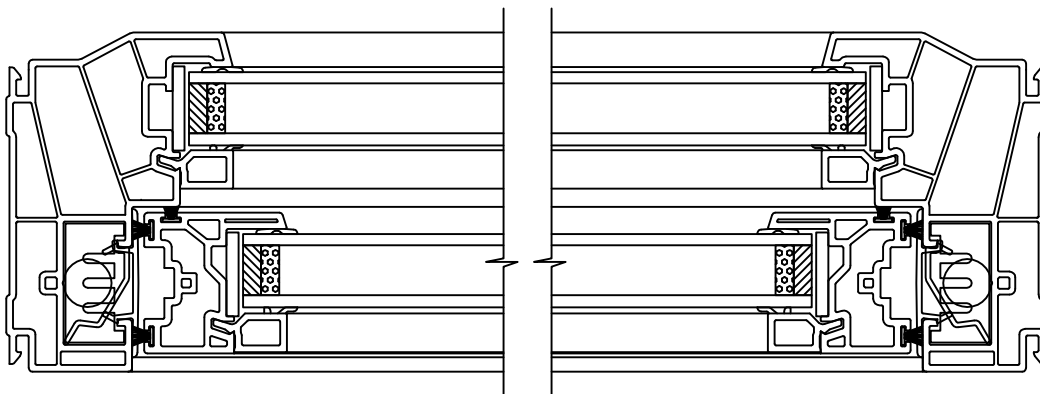


SECTION A - A

SILL DETAIL



ELEVATION



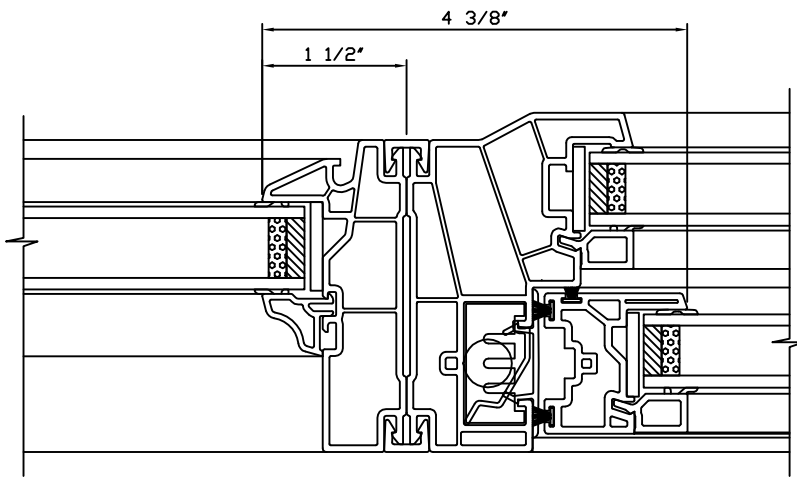
JAMB DETAIL

JAMB DETAIL

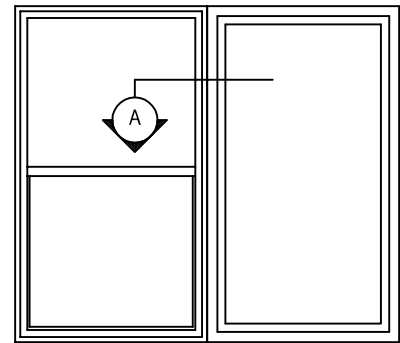
SECTION B - B



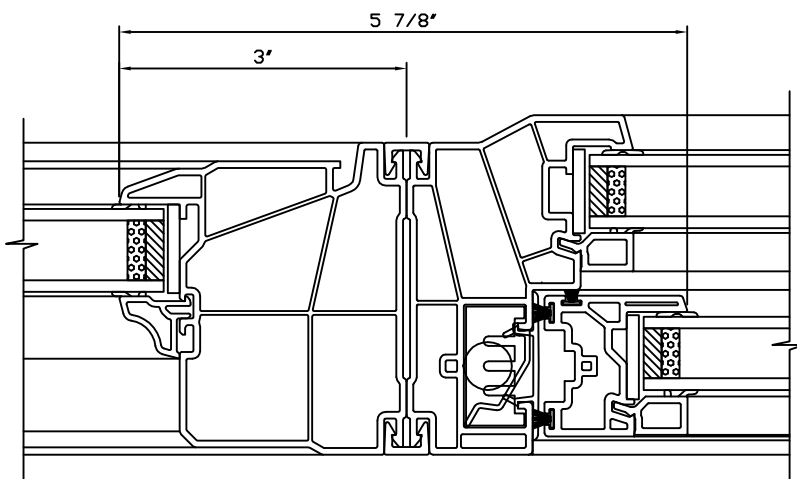
SERIES #1371  
SINGLE HUNG TILT  
SECTION DETAILS



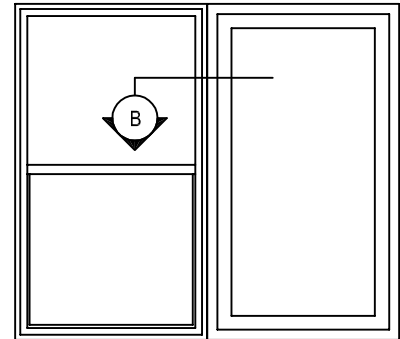
A - SINGLE HUNG TILT / FIXED  
MULLION DETAIL



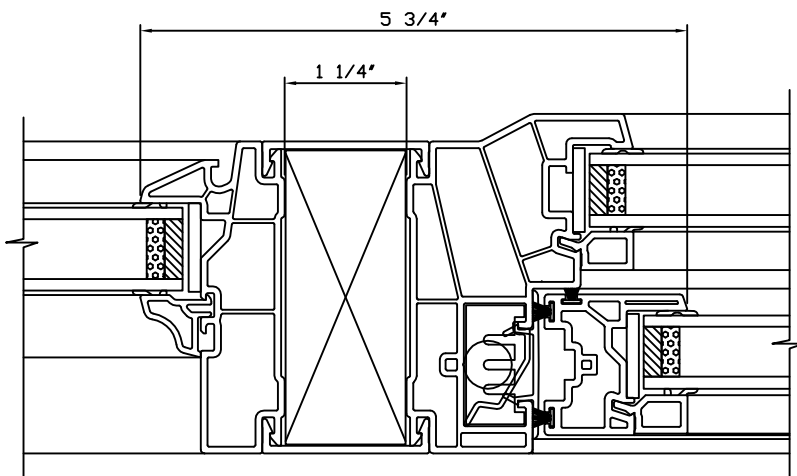
ELEVATION



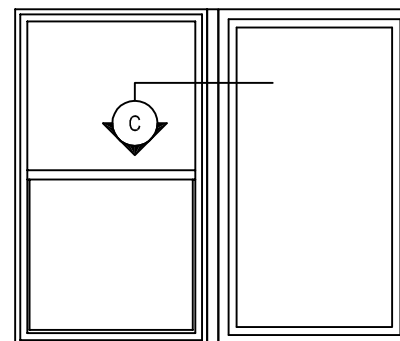
B - SINGLE HUNG TILT / PICTURE  
MULLION DETAIL



ELEVATION



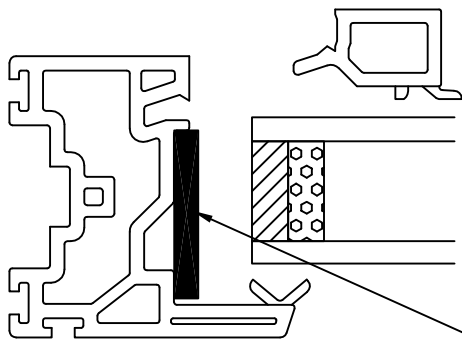
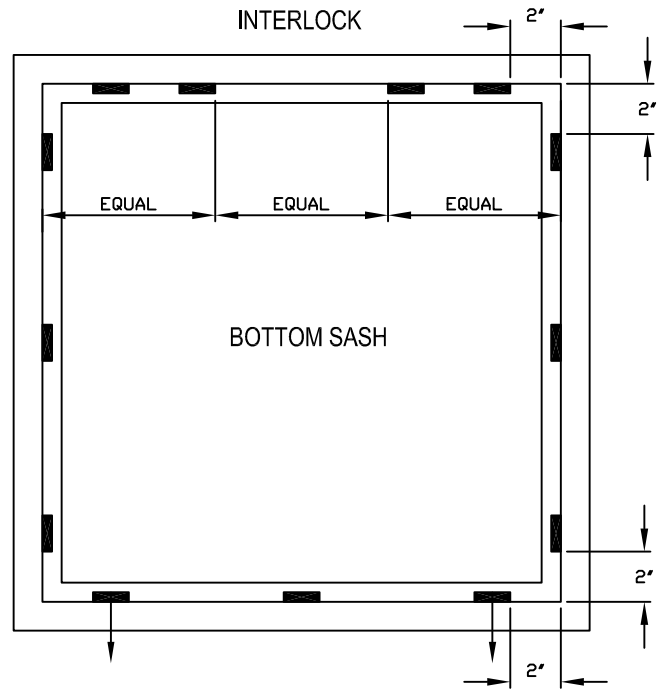
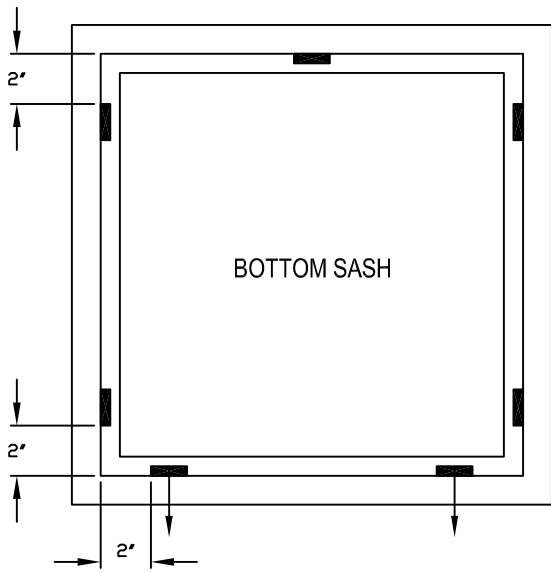
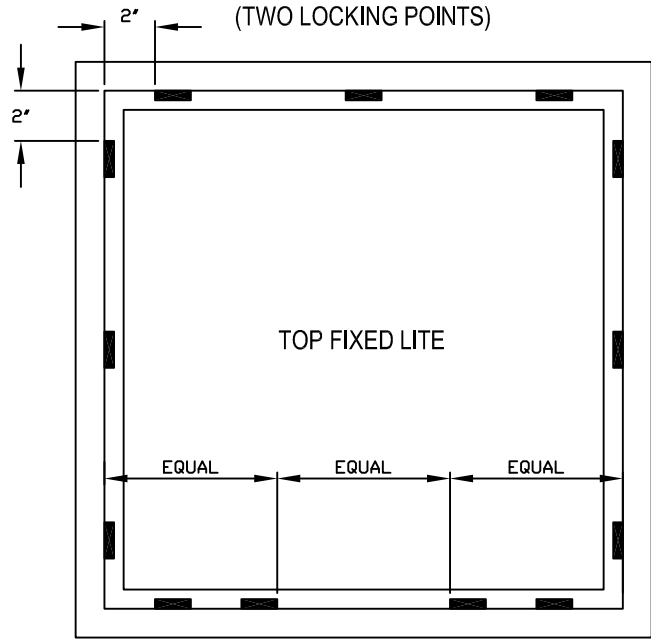
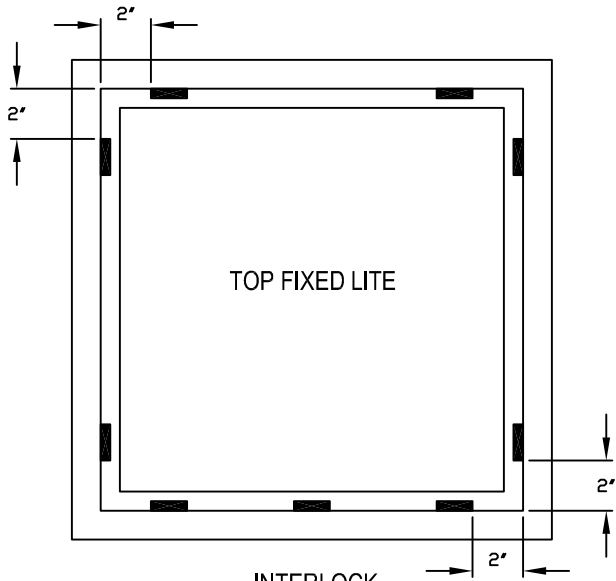
C - SINGLE HUNG TILT / FIXED  
MULLION REINFORCEMENT DETAIL



ELEVATION

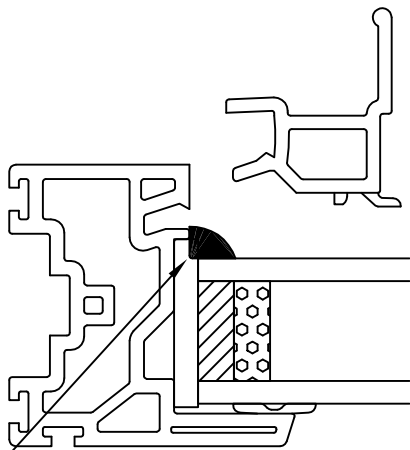
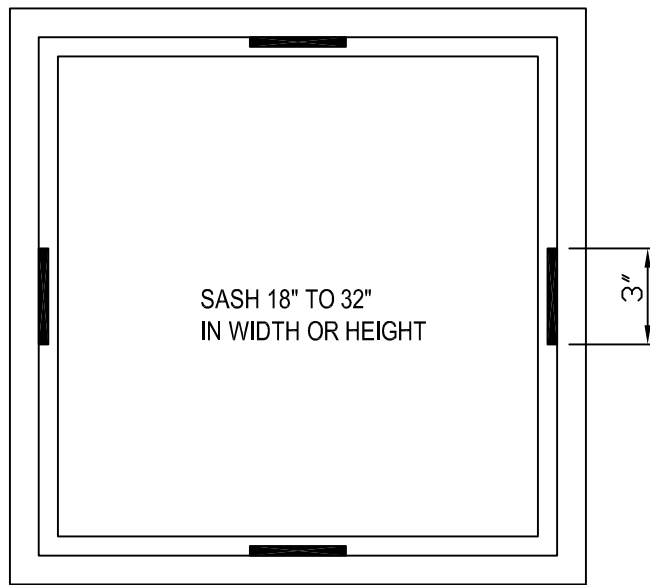
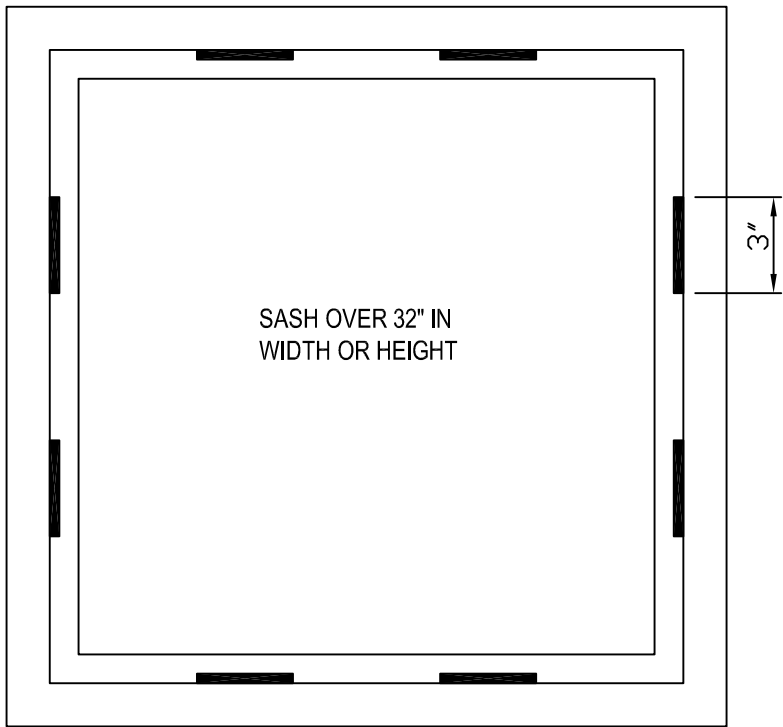
SASH WIDTH OR HEIGHT  
23-3/16" OR LESS  
(ONE LOCKING POINT)

SASH WIDTH OR HEIGHT  
23-1/4" OR GREATER  
(TWO LOCKING POINTS)

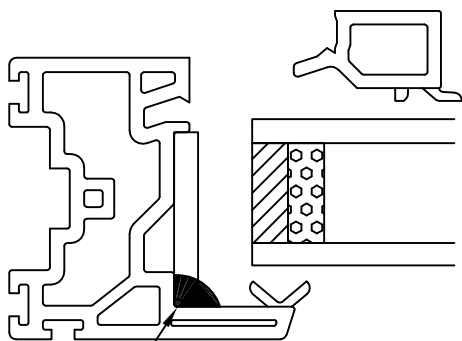


SETTING BLOCK 7/8" x 1-1/4" x 1/8"





SILICONE SASH LIFT RAIL, QUARTER POINT TO QUARTER POINT BEAD LENGTH



SILICONE 3" BEAD LENGTH

